

Original Instruction Manual
 Log Splitter Model OR25TBS-1, OR30TBS-1, OR35TBS-1, OR35THO-1... 2

Manuel d’instruction d’origine
 Fendeuse de bûches modèle OR25TBS-1, OR30TBS-1, OR35TBS-1,
 OR35THO-1..... 38

Manual de instrucciones original
 Modelo de cortadora de troncos OR25TBS-1, OR30TBS-1, OR35TBS-1,
 OR35THO-1..... 74



Safety Messages and Symbols

⚠ WARNING: Read and thoroughly understand all instructions in this manual and on safety decals before assembling or operating this log splitter. Failure to do so may cause serious injury or death. Do not allow anyone to operate this log splitter who has not read this manual. As with all power equipment, a log splitter can be dangerous if assembled or used improperly. Do not operate this log splitter if you have any questions concerning safe operation. To get answers to any questions, call our technical support department at 1-800-525-8322.

Explanation of Warning Levels

This section contains safety information for the Oregon Log Splitters. This manual contains WARNINGS, CAUTIONS, and NOTES that are applicable for the safe operation of the machine.

⚠ This is a safety alert symbol. It is used to alert you to potential physical injury hazards. Obey all safety messages that follow this symbol to avoid possible injury or death.

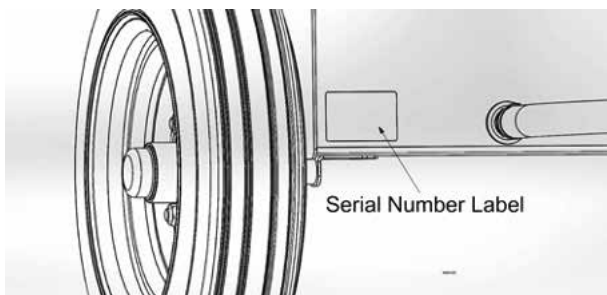
⚠ DANGER Indicates a hazard with a high level of risk which, if not avoided, will result in death or serious injury.

⚠ WARNING Indicates a hazard with a medium level of risk which, if not avoided, could result in death or serious injury.

⚠ CAUTION Indicates a hazard with a low level of risk which, if not avoided, could result in minor or moderate injury.

NOTICE Indicates a potential situation exists which, if not avoided, may result in damage to your log splitter or property.

Serial Number Label Location: Tank Plate Below Beam



Record the information below for future reference.

Model No _____

Date of Purchase _____

Serial No. _____

Place of Purchase _____

Table of Contents

Safety Messages and Symbols	2	Operating Instructions	24
Explanation of Warning Levels	2	Hydraulic Oil Recommendation.	24
Specifications	4	Engine Oil Recommendations	24
Introduction	5	Operating the Log Splitter	24
Safety Information	6	Log Splitter Setup.	24
Towing Safety	6	Log Splitter Operation – Horizontal Position	26
Intended Use.	7	Log Splitter Operation – Vertical Position	28
Personal Protective Equipment.	7	Towing	29
General Safety.	7	Maintenance.	29
Work Area	8	Replacement Parts.	30
Preparation of the Log	8	Beam Assembly	30
Operation of the Log Splitter	8	Wheel Assembly	31
General Repair	9	Tank Assembly	32
Hydraulic Safety.	10	Motor Assembly	33
Fire Prevention	10	Tongue Assembly.	34
Spark Arrester.	11	622492 Hardware Kit for 25T & 30T	35
Safety Decals	12	622549 Hardware Kit for 35T	35
Assembly Instructions	16	Limited Warranty	36

Specifications

Model No.	OR25TBS-1	OR30TBS-1	OR35TBS-1	OR35THO-1
Engine	Briggs & Stratton CR950 208cc	Briggs Stratton XR1150 250cc	Briggs & Stratton XR1450 360cc	Honda GX270 270cc
Maximum Splitting Force*	25 Tons	30 Tons	35 Tons	35 Tons
Cycle Time*	11.2-seconds	12.9-seconds	12.7-seconds	12.7-seconds
Pump	2-stage, 14 GPM	2-stage, 14 GPM	2-stage, 17 GPM	2-stage, 17 GPM
Cylinder	4" x 24" with 1.75" inner rod diameter	4.5" x 24" with 1.75" inner rod diameter	5" x 24" with 2" inner rod diameter	5" x 24" with 2" inner rod diameter
Valve	4100 PSI	4161 PSI	3688 PSI	3688 PSI
Maximum Log Length	25.5"	25.5"	25.5"	25.5"
Wheels	4.5" x 16" diameter	4.5" x 16" diameter	4.5" x 16" diameter	4.5" x 16" diameter
Wedge Height	8" tall wedge	8" tall wedge	8" tall wedge	8" tall wedge
Hydraulic Capacity	4.5 Gallons	6 Gallons	6.6 Gallons	6.6 Gallons
Filter	In-tank filter	In-tank filter	In-tank filter	In-tank filter
Height -- Vertical	71"	71"	71"	71"
-- Horizontal	30.5"	30.5"	30.5"	30.5"
Width	48.4"	48.4"	48.4"	48.4"
Shipping Weight	459 lbs.	500 lbs.	575 lbs.	575 lbs.

* Tonnage and cycle times vary dependent upon mechanical and environmental conditions.

Introduction

The purpose of this manual is to assist you in operating and maintaining your log splitter. Read it carefully. It furnishes information and instructions that will help you achieve years of dependable performance. Some information may be general in nature due to unknown and varying operating conditions. However, through experience and these instructions, you should be able to develop procedures suitable to your particular situation.

The illustrations and data used in this manual were current at the time of printing but, due to possible inline production changes, your machine may vary slightly in detail. We reserve the right to redesign and change the machines as may be necessary without notification.

Throughout this manual, references are made to right and left direction. These are determined by standing behind the equipment facing the direction of forward travel.

Safety Information

Towing Safety

DANGER

- NEVER allow anyone to sit or ride on your log splitter.

WARNING

- NEVER move your log splitter over hilly or uneven terrain without a tow vehicle or adequate help.
- NEVER carry any cargo or wood on your log splitter.
- NEVER exceed 45 mph when towing your log splitter. Towing the log splitter at speeds higher than 45 mph could result in loss of control, or serious injury or death, or damage to the equipment. Adjust towing speed for terrain and conditions. Be extra cautious when towing over rough terrain, especially railroad crossings, and avoid sharp turns and steep angles when towing your log splitter.
- NEVER exceed weight capacity of ball or load limits of coupler.
- ALWAYS confirm coupler tightness each time before towing and after towing 50 miles.
- ALWAYS disconnect your log splitter from the towing vehicle before operating it.
- ALWAYS use safety chains when towing your log splitter.
- ALWAYS check all local and state regulations regarding towing, licensing, and lights before towing your log splitter.
- ALWAYS check before towing to make sure that the log splitter is correctly and securely attached to the towing vehicle and that the safety chains are secured to the hitch or bumper of the vehicle with enough slack to allow turning.
- ALWAYS use a Class 1, 2" ball with this log splitter.
- ALWAYS replace ball or coupler if damaged or excessively worn.

CAUTION

- ALWAYS be careful when backing up your log splitter in tow. It could jackknife.
- ALWAYS allow for added length of your log splitter when turning, parking, crossing intersections and in all driving situations.

NOTICE

- ALWAYS if applicable, turn the fuel shut off valve on the engine to the "OFF" position before towing the log splitter. Failure to do so may result in flooding the engine.
- ALWAYS lift support stands and have beam pinned down and forward for transport.

Intended Use

DANGER

- NEVER use this log splitter for any other purposes than splitting firewood. It is designed for this use only. Any other use can cause serious injury or death.

Personal Protective Equipment



WARNING

- BEFORE operating this log splitter, make sure that you wear safety gear such as goggles or safety glasses, steel toed shoes and tight fitting gloves (without loose cuffs or draw strings). Always wear a protective hearing device when operating this log splitter.

General Safety

DANGER

- NEVER allow children or those lacking proper instructions and understanding to operate this log splitter.
- NEVER wear loose clothing or jewelry that can be caught by moving parts of the log splitter. Keep clothing and hair away from all moving parts when operating this log splitter.

WARNING

- ALWAYS keep the operator's manual in the storage tube for reference. Reread the manual periodically.
- ALWAYS keep all bystanders and pets a minimum of 10 feet away from your work area when operating this log splitter. Only the operator is to be near the log splitter during use.
- NEVER actuate the control unit until all people are clear of the work area.
- NEVER operate the log splitter when under the influence of alcohol, drugs, medication, or when otherwise not alert enough to operate dangerous machinery.

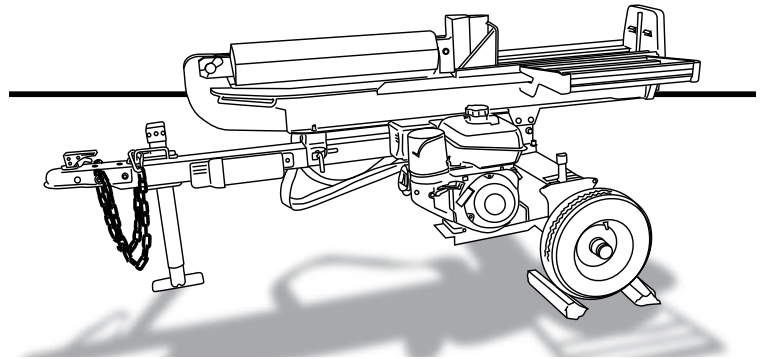
Work Area

DANGER

- NEVER operate the log splitter in an enclosed area. Exhaust fumes contain carbon monoxide which can be deadly when inhaled.

WARNING

- NEVER operate the log splitter on slippery, wet, muddy or icy ground.
- ALWAYS chock the wheels before splitting.
- ONLY operate the log splitter on level ground. Operating on a slope could cause the log splitter to roll over or logs to fall off.
- ONLY operate the log splitter in daylight or under good artificial light.
- ALWAYS keep the work area clean. Remove split wood around the log splitter immediately to prevent accidents.



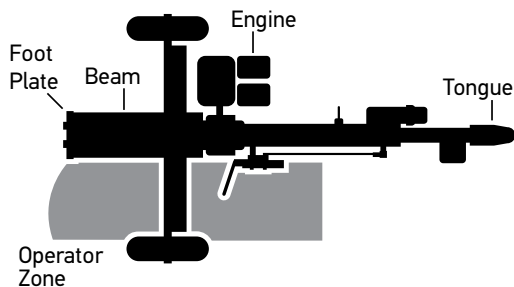
Preparation of the Log

Both ends of the log should be cut as square as possible to help prevent the log from riding out of the splitter during operation. Do not split logs greater than 25.5" in length.

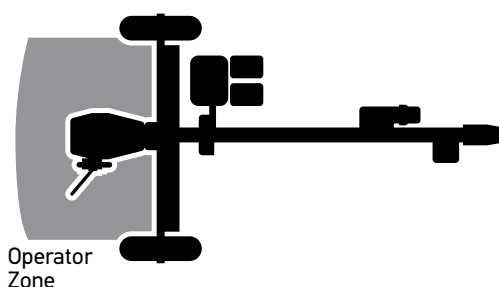
Operation of the Log Splitter

Only one operator may operate the log splitter from the operator zone as shown in the diagram. Keep all bystanders and pets away. The operator has the safest and most efficient access to the control valve and the beam in this location. Operating the log splitter in another location can result in serious injury or death.

Horizontal Position



Vertical Position



- NEVER split a log heavier than 100 lbs in horizontal position.
- ALWAYS set up the log splitter in a clear, level area. Failure to do so can result in instability of the log splitter.
- ALWAYS block the wheels to prevent movement of the log splitter while in operation.
- KNOW how to stop the log splitter and disengage the controls before operating it.
- NEVER place hands or feet between the log and splitting wedge during forward or reverse strokes as this could result in serious injury or death.
- NEVER straddle or step over the log splitter during operation.
- NEVER reach or bend over the log splitter to pick up a log.
- NEVER split more than one log at a time.
- NEVER try to split a log across the grain.
- NEVER attempt to load the log splitter when the ram or wedge is in motion.
- NEVER use your foot, a rope, or any extension device to operate the control lever on the valve. Only use hand.
- NEVER move the log splitter while the engine is running. Shut off the engine if you are leaving the log splitter, even for a short period of time.
- NEVER touch the muffler and hot areas of the engine during operation. Wait until the engine cools down.

General Repair

WARNING

- NEVER alter your log splitter in any manner. Such alterations may cause your log splitter to be unsafe and will void the warranty.
- NEVER tamper with the engine to run it at excessive speeds. The maximum engine speed is preset by the manufacturer, and is set within safety limits. Running the engine at excessive speeds will void the warranty. Refer to the engine owner's manual for your particular log splitter.
- NEVER perform any service or repair on your log splitter without first removing the spark plug wire.
- ALWAYS replace all damaged or worn parts immediately.
- ALWAYS be sure that all replacement parts meet manufacturer's specifications.

CAUTION

- NEVER operate your log splitter when it is in poor mechanical condition or in need of repair.
- ALWAYS perform all recommended maintenance procedures before using your log splitter.

NOTICE

- ALWAYS check the level of hydraulic oil and engine oil before operation.
- ALWAYS periodically check that all nuts, bolts, screws, hydraulic fittings and hose clamps are tight.

Hydraulic Safety

The hydraulic system of your log splitter requires careful inspection along with the mechanical parts. Be sure to replace frayed, kinked, cracked, or otherwise damaged hydraulic hoses or hydraulic components.

DANGER

- **NEVER** check for leaks of hydraulic fluid with your hand. Fluid escaping from a small hole can be almost invisible. Escaping fluid under pressure can have sufficient force to penetrate skin causing **SERIOUS INJURY** or even **DEATH**. Leaks can be safely detected by passing a piece of cardboard over the suspected leak and looking for discoloration.
- **ALWAYS** seek professional medical attention immediately if injured by escaping hydraulic fluid. Serious infection or reaction can develop if proper medical treatment is not administered immediately.

WARNING

- **NEVER** remove the cap from the hydraulic tank or reservoir while the log splitter is running. The tank could contain hot oil under pressure which could result in serious injury.
- **NEVER** adjust the hydraulic valve. The pressure relief valve on your log splitter is preset at the factory. Only a qualified service technician should perform this adjustment.

CAUTION

- **ALWAYS** be sure to relieve all pressure by shutting off the engine and moving the valve control handle back and forth should it become necessary to loosen or remove any hydraulic fitting.

Fire Prevention

WARNING

- **NEVER** operate your log splitter near a flame or spark, or smoke during operation. Hydraulic oil and gasoline are flammable and can explode.
- **NEVER** fill the gas tank while the engine is hot or running. Allow the engine to cool before refueling.
- **ONLY** refuel your log splitter in a clear, well ventilated area with no gas fumes or spilled gas.
- **ALWAYS** replace the gas cap securely.
- If gasoline has spilled, move the log splitter away from the area of the spill and avoid creating any source of ignition until the spilled gas has evaporated.
- **ALWAYS** clean wood debris from the engine, muffler and beam.
- **ALWAYS** store gasoline in an approved, tightly sealed container and away from heating appliances. Store the container in a cool, dry place.

CAUTION

- **ALWAYS** drain the fuel tank prior to storage to avoid the potential fire hazard.

Spark Arrester

This log splitter is equipped with an internal combustion engine and should not be used on or near any unimproved forest-covered, brush-covered, or grass-covered land unless the engine's exhaust system is equipped with a spark arrester meeting applicable local or state laws (if any). In the state of California, a spark arrester is required by law.




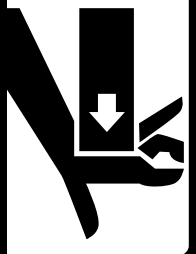
Other states have similar laws. Federal laws apply on federal lands. Always check the legal requirements in your area.

If a spark arrester is used, it should be maintained in effective working order by the operator. A spark arrester muffler is optional and available as an accessory at your nearest engine dealer.

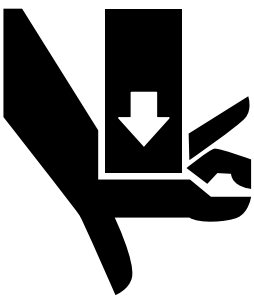



As a precautionary measure against possible flying sparks, always take a Class B fire extinguisher with you when operating this log splitter in dry areas.

Safety Decals

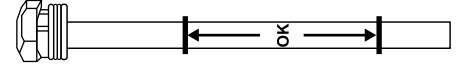
Make sure that all safety warning decals are in good condition and readable. Always replace missing or defaced decals. Call 1-800-525-8322 for replacement decals. Safety Decal Kit Material # is 622521.

 WARNING	 ADVERTENCIA	 AVERTISSEMENT	
<p>To minimize risk of serious injury or death to you or others, when towing log splitter:</p> <ul style="list-style-type: none"> - Read manual for how to properly attach coupler to hitch ball and how to safely tow. - Use correct ball size. - Do not exceed weight capacity of ball or load limits of coupler. - Always use safety chains. - Never exceed 45 mph. - Avoid sharp turns and steep angles. - Confirm coupler tightness each time before towing and after towing 50 miles. - Replace ball or coupler if damaged. 	<p>Para minimizar el riesgo de lesiones severas o la muerte a usted o a terceros mientras remolca una cortadora de troncos:</p> <ul style="list-style-type: none"> - Lea el manual para saber cómo adherir el acople a la esfera del enganche y cómo remolcar en forma segura. - Use el tamaño de esfera correcto. - No exceda la capacidad de peso de la esfera ni los límites de carga del acople. - Siempre use cadenas de seguridad. - Nunca exceda los 45 mph. - Evite los giros bruscos y los ángulos marcados. - Revise la firmeza del acople todas las veces antes de remolcar y después de remolcar una distancia de 50 mil las. - Reemplace la esfera o el acople si están dañados. 	<p>Pour minimiser les risques de blessures graves ou mortelles pour vous et pour les autres pendant le remorquage de la fendeuse hydraulique:</p> <ul style="list-style-type: none"> - Lira le manuel pur savoir comment accrocher correctement le coupleur à la boule d'attelage et remorquer de manière sécuritaire. - Utiliser une boule de la bonne grosseur. - Ne pas dépasser la capacité pondérale de la boule ni les limites de charge du coupleur. - Toujours utiliser des chaînes de sécurité. - Ne jamais dépasser une vitesse de 45 m/h. - Éviter les virages serrés et les angles d'approche accentués. - S'assurer du serrage du coupleur à chaque fois, avant et après un remorquage sur 50 miles. - Remplacer le coupleur ou la boule d'attelage s'ils sont endommagés. 	<small>S52062500 AC</small>

PART NUMBER: S52062500
LOCATION: SIDE, FRONT END OF TONGUE

	 DANGER
	Crush Hazard Keep hands clear when cutting wedge is moving.
	 PELIGRO
	Riesgo de aplastamiento Mantenga las manos alejadas cuando la cuña de corte está en movimiento.
	 DANGER
	Danger d'écrasement Tenir les mains éloignées lorsque le bord tranchant est en mouvement
<small>S52062200E</small>	

PART NUMBER: S52062200
LOCATION: TOP OF CYLINDER

NOTICE

To prevent damage to the hydraulic system, do not fill tank beyond "OK" range on dipstick. Use universal hydraulic fluid or DEXTRON II Transmission Fluid. Use 10W AW32, ASLE H-150, or ISO 32 type hydraulic fluid.
AVISO
Para prevenir daños en el sistema hidráulico, no llene el tanque más allá de la marca "OK" en la varilla. Use fluido hidráulico universal o fluido de transmisión DEXTRON II. Use fluido hidráulico tipo 10W AW32, ASLE H-150 o ISO 32.
AVIS
Pour prévenir les dommages du système hydraulique, ne pas remplir le réservoir au-delà la marque « OK » apparaissant sur la jauge graduée. Utilisez un fluide hydraulique universel ou le liquide pour Transmission DEXTRON II. Utilisez un fluide hydraulique de type 10W AW32, ASLE H-150, ou ISO 32.
<small>S52062400 AB 03/20</small>

PART NUMBER: S52062400 LOCATION:
HYDRAULIC TANK LOWER TANK, RIGHT CORNER

<p>⚠ WARNING</p> <p>To minimize the risk of serious injury or death:</p> <ul style="list-style-type: none"> • Read and thoroughly understand owner's manual and engine manual before assembly, operation, towing and maintenance. • Only one operator permitted. Must operate in operator safe zone. Keep all bystanders and pets away. • Do not step or reach over splitter during operation. • Hold logs by the sides, never by ends. • Keep hands, body, and clothing away from moving parts when splitting. • Do not operate indoors. • Do not check for high pressure oil leaks with your hands. Use cardboard. • Wear safety glasses, shoes, and hearing devices. • Do not operate if tired or under influence of alcohol or drugs. • Hot surface, Do NOT touch hot cylinder.
<p>OPERATING INSTRUCTIONS</p> <ol style="list-style-type: none"> 1. Place splitter on dry, level surface. Remove debris. 2. Start engine. Advance throttle to max. 3. Place log onto beam, against foot plate. 4. Split wood in direction of grain. 5. Move control handle to EXTEND or RETRACT as needed.
<p>Control Valve</p> <p>Retract ▲</p> <p>●</p> <p>Extend ▼</p>
<p>For Responsive Service or if manual is missing Call 1-800-525-8322 or visit SpeeCo.com</p>
<p>⚠ ADVERTENCIA</p> <p>Para minimizar el riesgo de lesiones severas o la muerte:</p> <ul style="list-style-type: none"> • Lea y asegúrese de entender completamente el manual del usuario y el manual del motor antes de proceder a las operaciones de montaje, operación, remolque y mantenimiento. • Se permite solo un operador por vez, que debe operar en la zona segura para el operador. Todos los transeúntes y mascotas deben mantenerse alejados. • No se pare ni pase sobre la cortadora de troncos durante la operación. • Sostenga los troncos por los costados, nunca por los extremos. • Mantenga las manos, el cuerpo y la ropa alejadas de las partes en movimiento durante la operación. • No opere en interiores. • No inspeccione para determinar si hay filtraciones de aceite de alta presión con las manos, utilice cartón. • Utilice antiparras, calzado de seguridad y dispositivos para la protección de los oídos. • No opere el equipo si se siente cansado o está bajo la influencia del alcohol o las drogas. • Superficie caliente, NO toque el cilindro caliente.
<p>INSTRUCCIONES DE OPERACIÓN</p> <ol style="list-style-type: none"> 1. Coloque la cortadora sobre una superficie seca y nivelada. Quite toda la suciedad que haya sobre la superficie. 2. Arranque el motor. Lleve el acelerador a la posición máxima. 3. Coloque el tronco sobre el brazo, contra el pedal. 4. Corte la madera en la dirección de la veta. 5. Mueva la palanca de control para EXTENDER o RETRAER, según resulte necesario.
<p>Válvula de control</p> <p>Retraer ▲</p> <p>●</p> <p>Extender ▼</p>
<p>Para solicitar servicio o si falta el manual, llame al 1-800-525-8322 o visite SpeeCo.com</p>
<p>⚠ AVERTISSEMENT</p> <p>Pour minimiser les risques de blessures graves ou mortelles :</p> <ul style="list-style-type: none"> • Lire et bien comprendre le manuel du propriétaire et le manuel du moteur avant tout assemblage, fonctionnement, remorquage et entretien. • Un seul opérateur est autorisé. Doit fonctionner dans une zone sécuritaire pour l'opérateur. Tenir tous les spectateurs et animaux à distance. • Ne pas marcher sur la refenduse ni passer par-dessus pendant le fonctionnement. • Tenir les rondins par les côtés, jamais par les extrémités. • Tenir les mains, le corps et les vêtements éloignés des pièces mobiles lors du fendage. • Ne pas faire fonctionner à l'intérieur. • Ne pas vérifier les fuites d'huile à haute pression avec vos mains. Utiliser un carton. • Porter des lunettes et souliers de sécurité ainsi qu'un dispositif de protection auditive. • Ne pas faire fonctionner si vos facultés sont affaiblies par l'alcool ou des drogues. • Surface chaude, NE PAS toucher le cylindre chaud.
<p>DIRECTIVES DE FONCTIONNEMENT</p> <ol style="list-style-type: none"> 1. Placer la refenduse sur une surface sèche et nivelée. Enlever les débris. 2. Démarrer le moteur. Avancer la manette de poussée au maximum. 3. Placer le rondin sur la poutre, contre la palette d'appui-épiés. 4. Fendre le bois dans le sens du grain. 5. Déplacer la poignée de commande vers DÉPLOYER ou RETRACTER, au besoin.
<p>Valve de commande</p> <p>Rétracter ▲</p> <p>●</p> <p>Déployer ▼</p>
<p>Pour un service attentif ou si vous n'avez pas de manuel, composez le 1-800-525-8322 ou visitez SpeeCo.com</p>

SD52062100 AB 10/20

PART NUMBER: S52062100
LOCATION: TOP OF HYDRAULIC CYLINDER



PART NUMBER: S52062300
LOCATION: STRIPPER PLATE, NON-OPERATOR SIDE

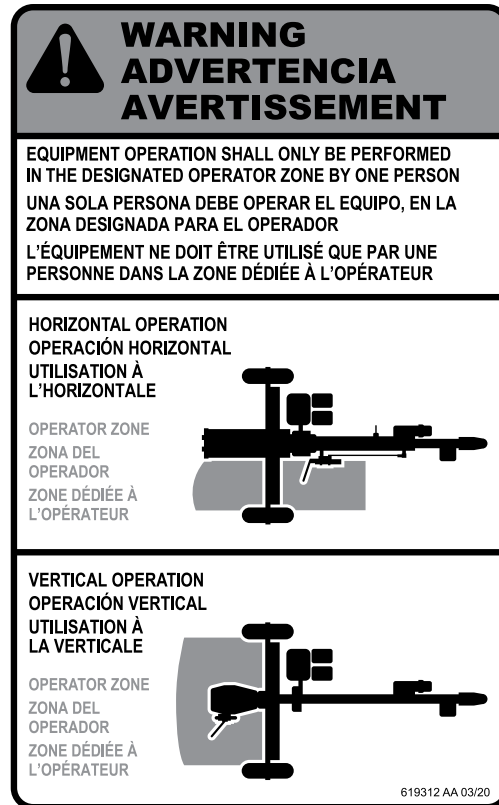


PART NUMBER: S52062600
LOCATION: STRIPPER PLATE, OPERATOR SIDE



PART NUMBER: 622869
 LOCATION: CRATE

REFLECTIVE TAPE
 PART NUMBER: S52020700
 LOCATION: REAR OF TANK



PART NUMBER: 619312
 LOCATION: TANK



PART NUMBER: 582221
 LOCATION: TONGUE



PART NUMBER: 608317
 LOCATION: TONGUE

 WARNING ADVERTENCIA AVERTISSEMENT	
	<p>Explosive fuel can cause fires and severe burns. Stop engine before filling fuel tank. Leave 5/8" (16 mm) at top of tank for fuel expansion. Read owner's manual.</p> <p>La explosión de combustible puede causar incendios y quemaduras graves. Pare el motor ante de llenar el tanque de combustible. Deje 5/8" (16 mm) en la parte superior del tanque para la expansión del combustible. Lea el manual del propietario.</p>
	<p>Le carburant explosif peut entraîner des incendies et des brûlures graves. Arrêter le moteur avant de remplir le réservoir de carburant. Laisser un espace vide de 5/8 po (16 mm) en haut du réservoir pour l'expansion du carburant. Lire le manuel du propriétaire.</p> <p style="text-align: right;"><small>621827 AA 03/20</small></p>

PART NUMBER: 621827

LOCATION: ENGINE FUEL TANK

Assembly Instructions

This log splitter is partially assembled at the factory. Please refer to the drawings and parts list should it become necessary to disassemble the unit for repair or replacement of parts. The drawings in this manual are for reference only. Some of the components on your log splitter may look slightly different.

CAUTION: To avoid personal injury, always get help when moving or assembling heavier components such as a beam.

Tools Required

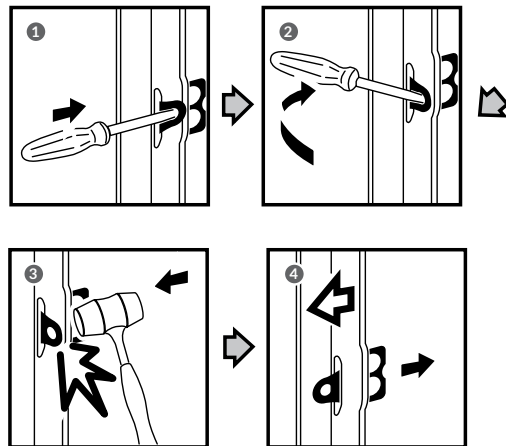
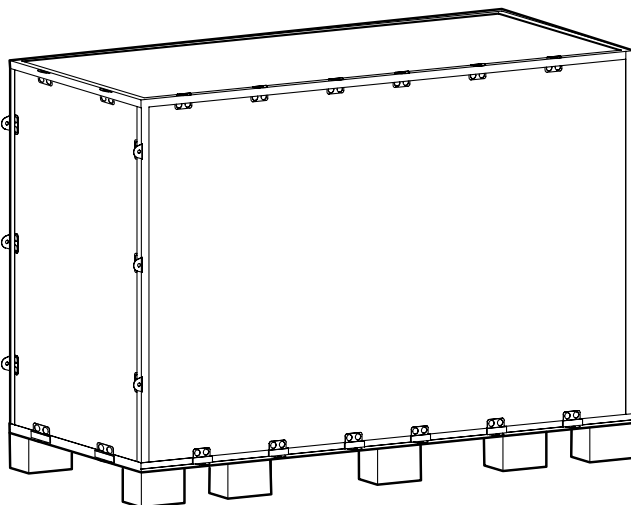
- | | |
|---------------------------------|-----------------------------|
| 1/4" wide flat head screwdriver | 18mm wrench |
| Hammer | 19mm wrench |
| 10 mm wrench | 10 mm Hex wrench (included) |
| 13 mm wrench | Needle-nose pliers |
| | Box cutter |

Step 1:

- 1a: Remove the top and sides by bending open all the metal side locks. Use caution as shifting may have occurred.
- 1b: Remove loose items from the crate and set aside.
- 1c: Cut all hold down straps and inspect each part for damage.
- 1d: Take note that the following items are included in the crate:

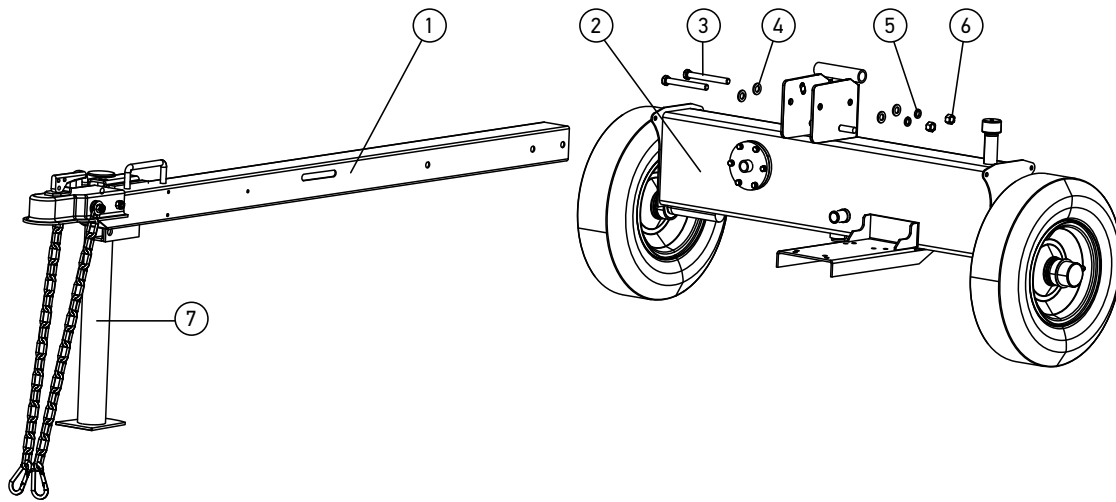
Description	Quantity	Description	Quantity
Beam Assembly	1	Wheel Assemblies	2
Tank Assembly	1	Log Catcher	1
Motor/Pump Assembly	1	Hardware Kit	1
Pressure Hoses	2	Manual Canister	1

Note: If any part is damaged, contact your dealer or delivering carrier.



Step 2:

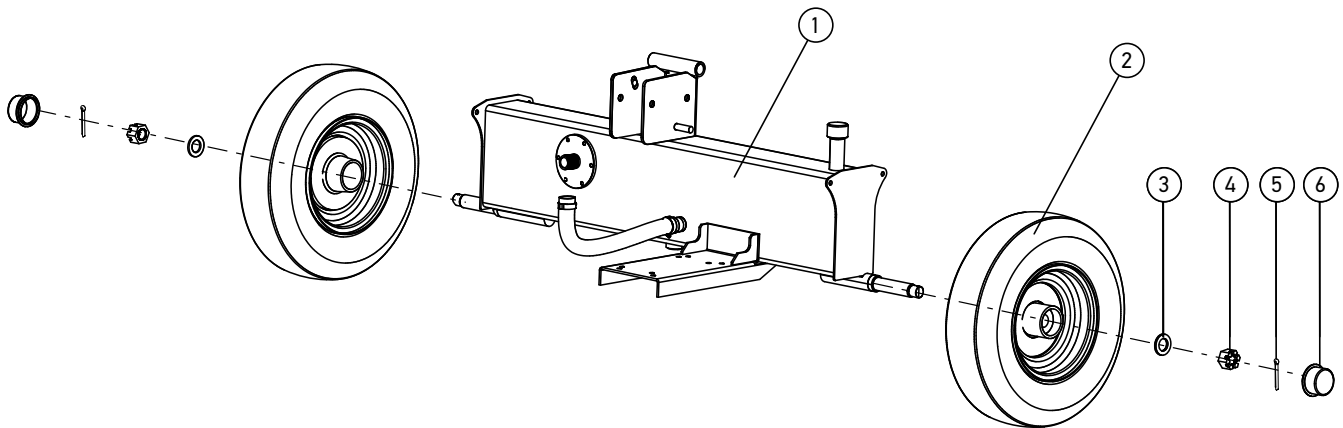
- 2a: Locate the tongue assembly and rotate the jack into the down position.
- 2b: Remove the hold down bolt that secures the tank to the base of the pallet.
- 2c: Position the tongue so that the mounting holes align with the holes in the tanks tongue mount.
- 2d: Insert the two M12 x 110mm bolts with a flat washer under the head of the bolt.
- 2e: Install a flat washer, lock washer, nut on each bolt and tighten.



Item	Description	Quantity
1	Tongue Assembly	1
2	Tank Assembly	1
3	M12 x 110 Bolt	2
4	Flat Washer	4
5	Lock Washer	2
6	M12 Nut	2
7	Ground Stand / Jack Stand	1

Step 3:

- 3a: Rotate tank tongue assembly on the crate base corner so that axles are clear of the base.
- 3b: Locate wheel assemblies, Flat washers, Castle nuts, Cotter pins and Dust caps from the hardware kit.
- 3c: Remove the protective cover from one axle shaft and the plastic cover from one wheel.
- 3d: Install the wheel (with the valve stem pointed out), outer bearing, flat washer, and castle nut.
- 3e: Tighten the castle nut until snug and rotate the wheel three full turns to seat the bearings.
- 3f: Back off (loosen) the castle nut just enough to align the hole in the axle with the notches in the castle nut, allowing installation of the cotter pin. Do not loosen more than necessary to install cotter pin.
- 3g: Spin the wheel to verify it spins freely. Note: A small amount of play is acceptable.
- 3h: Insert cotter pin and split/bend the pin end left and right.
- 3i: Install the dust cap.
- 3j: Repeat steps outlined above for the other wheel installation.



Item	Description	Quantity
1	Tank Assembly	2
2	Wheel Assembly	2
3	Flat Washer	2
4	Castle Nut	2
5	Cotter Pin	2
6	Dust Cap	2

Step 4:

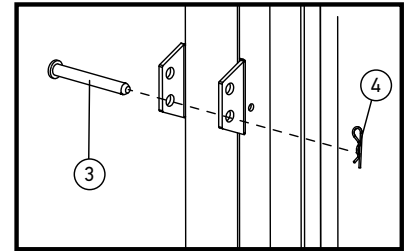
- 4a: Remove the two hold down bolts securing the beam to the crate base.
- 4b: Slide the beam down so that the foot plate hangs over the edge of the crate base.
- 4c: Using two people or a suitable lifting device, stand the beam assembly up on end as shown, making sure that the beam is on a stable and level surface.



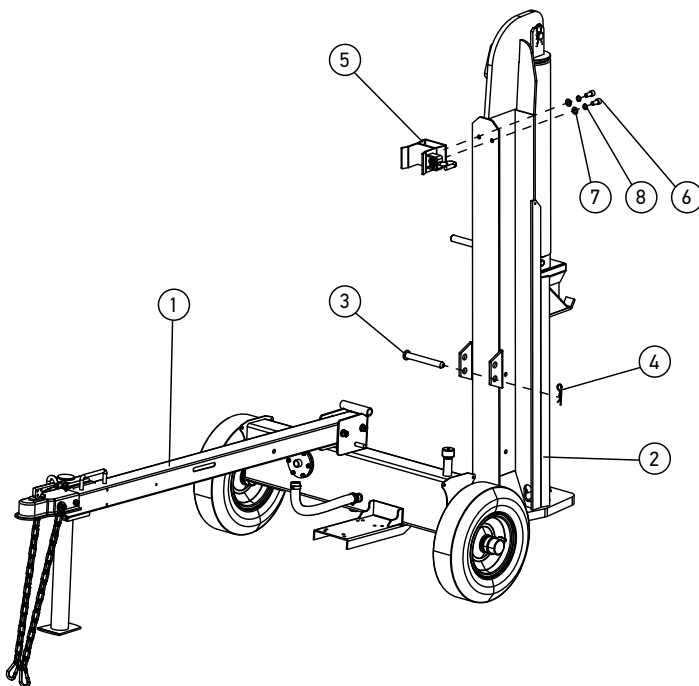
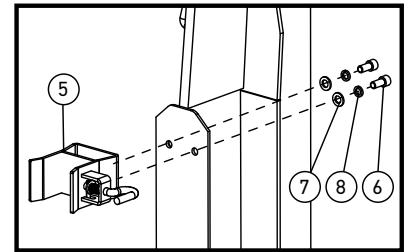
CAUTION: Have a person stabilize the beam until it is secured to the tank/tongue assembly.

- 4d: Locate the pivot pin and r-clip from the hardware kit.
- 4e: Roll the tank/tongue assembly into position, aligning the pivot tube located on the tank assembly with the holes located on the two tabs that are on the beam.
- 4f: Slide the pivot pin through both the holes and fasten with the R-clip.
- 4g: Engage the beam vertical lock located near the pivot tube on the tank assembly.
- 4h: With the beam in vertical position, locate the beam to tongue lock (2) M12 x 25 SHCS, (2) M12 flat washers, and (2) M12 lock washers from the hardware kit.
- 4i: Place the beam lock into position and align the holes.
- 4j: Fasten the beam lock in place using the provided hex wrench and hardware.
- 4k: Lower the beam into horizontal position and verify the beam locks onto the tongue.

4f:



4j:



Item	Description	Quantity
1	Tank and Tongue Assembly	1
2	Beam Assembly	1
3	Pin	1
4	R-clip	1
5	Beam Lock	1
6	M12 x 25 Screw	2
7	Flat Washer	2
8	Lock Washer	2

Step 5:

5a: Locate the engine and pump assembly and remove the two hold down bolts.

5b: Place motor/pump assembly onto the engine plate located on the tank assembly.

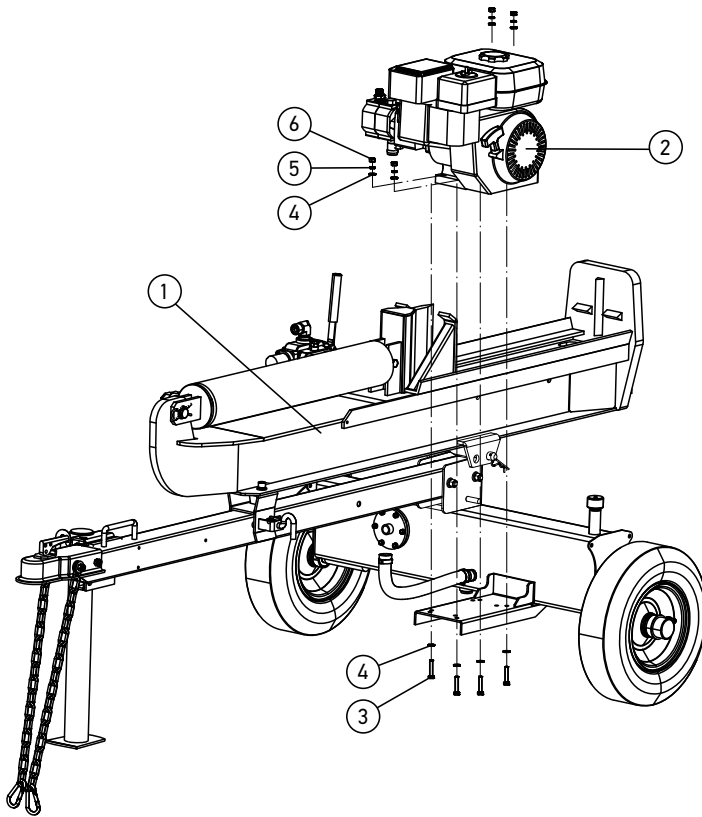
5c: For the 25T and 30T models

Locate (4) M8 x 40 bolts, (8) #8 flat washer, (4) #8 lock washers and (4) M8 nuts, from the hardware kit.

For the 35T models

Locate the (4) M10 x 45 bolts, (8) #10 flat washer, (4) #10 lock washers and (4) M10 nuts, from the hardware kit.

5d: Install as shown and tighten.

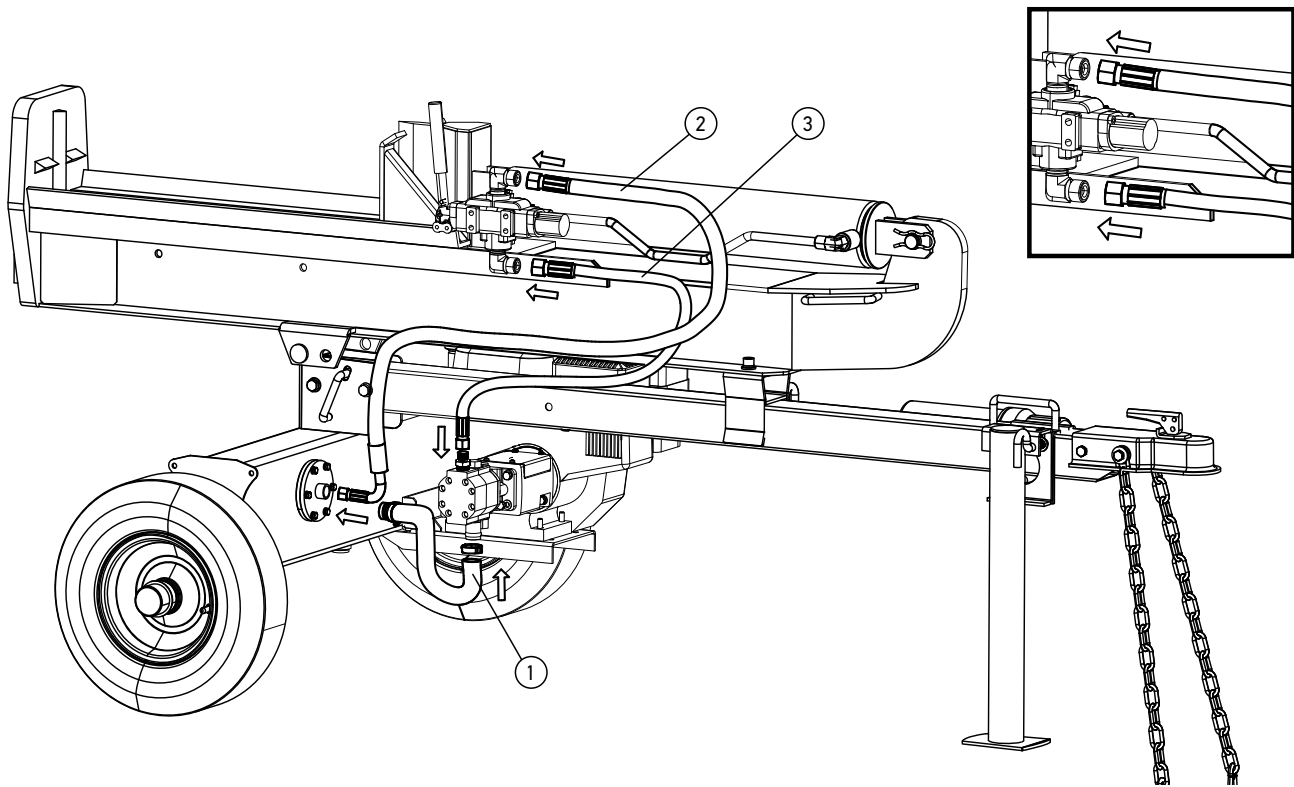


Item	Description	Quantity
1	Log Splitter Assembly	1
2	Engine and Pump Assembly	1
25T & 30T		
3	M8 x 40 Bolt	4
4	M8 Flat Washer	8
5	M8 Lock Washer	4
6	M8 Nut	4
35T		
3	M10 x 45 Bolt	4
4	M10 Flat Washer	8
5	M10 Lock Washer	4
6	M10 Nut	4

Step 6:

- 6a: Remove the plastic dust cap located in the end of the suction tube and loosen hose clamp.
- 6b: Slide hose onto the suction tube located on the bottom of the hydraulic pump and tighten clamp.
- 6c: Locate the two pressure hoses and remove the caps located in the ends.
- 6d: Take the hose with the 90 degree end and attach it to the round filter cover and tighten as shown.
- 6e: Attach the other end to the valve assembly as shown.
- 6f: Take the remaining hose and attach it to the pump and tighten as shown.
- 6g: Attach the other end to the valve assembly as shown.

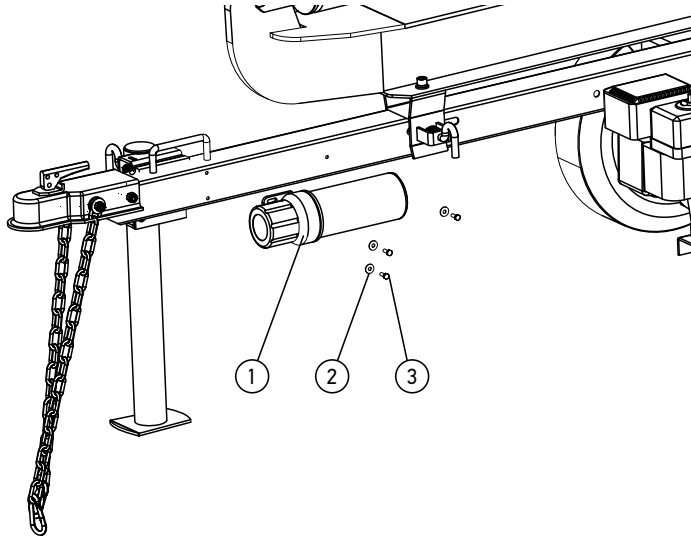
Note: Hose connectors are designed to only fit on the proper connection and cannot be connected to the incorrect location.



Item	Description	Quantity
1	Suction Hose	1
2	Return Hose	1
3	Pressure Hose	1

Step 7:

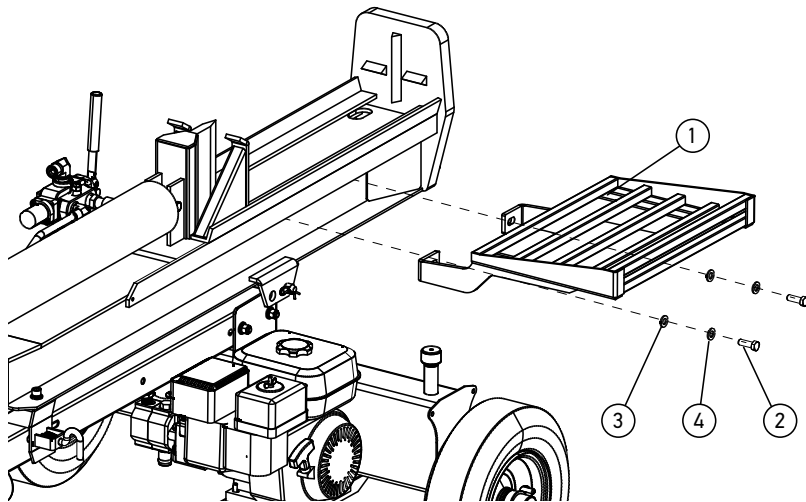
- 7a: Locate manual canister, (3) M6 screw and (3) M6 flat washers from the hardware kit.
- 7b: Remove the cap of the manual canister to ease installation.
- 7c: Install the manual canister with the provided hardware.



Item	Description	Quantity
1	Manual Canister	1
2	Washer M6	3
3	M6 x 20 Hex. Bolt	3

Step 8:

- 8a: Locate log catcher accessory box.
- 8b: Remove the contents and inspect for damage. Note: If any part is damaged, contact your dealer or delivering carrier.
- 8c: Locate the (2) M12 x 35mm bolts, (2) M12 flat washers, and (2) M12 lock washers
- 8d: Align holes in log catcher with holes in the beam.
- 8e: Attach log catcher with provided hardware and tighten.



Item	Description	Quantity
1	Log Catcher	1
2	M12 x 35 Bolt	2
3	12mm Washer	2
4	M12 Lock Washer	2

Operating Instructions



WARNING: Read and thoroughly understand all instructions in this manual and on safety decals before assembling or operating this log splitter. Failure to do so may cause serious injury or death. Do not allow anyone to operate this log splitter who has not read this manual. As with all power equipment, a log splitter can be dangerous if assembled or used improperly. Do not operate this log splitter if you have any questions concerning safe operation. To get answers to any questions, call our technical support department at 1-800-525-8322.

NOTE: This log splitter does NOT include hydraulic oil or engine oil. Follow the instructions below for filling the hydraulic tank. Refer to the engine owner's manual for information on adding oil.



CAUTION: Do not start or run the engine before adding oil in the hydraulic reservoir and oil in the engine.

Hydraulic Oil Recommendation

STEP 1: The hydraulic reservoir must be filled with oil before operation. AW22 or AW32 hydraulic oil is recommended when oil is needed. Automatic transmission fluid can be substituted and should be used instead of hydraulic oil when temperatures are below 32°F. Use only clean oil and take care to prevent dirt from entering the hydraulic reservoir. Fill the hydraulic tank with enough hydraulic fluid to register between the upper and lower marks on the dipstick.

STEP 2: After the hydraulic reservoir and the engine crankcase are filled with the recommended oil and hydraulic fluid, fill the engine with fuel and start. With the engine running at full speed, move the hydraulic valve lever toward the foot plate until the ram stops, then push the valve lever in the opposite direction and release. The Ram will return to the start position. Repeat this procedure several times to fill the ram and expel the air.

Note:

- Erratic movement of the ram indicates that there is still air in the system.
- Hydraulic pump will prime itself.

After cycling the hydraulic ram several times, shut off the motor and top off the hydraulic fluid, and look for leaks.

Engine Oil Recommendations

For engine oil recommendations and engine starting instructions, please see engine owner's manual for further information.

Operating the Log Splitter

Before operating the log splitter, do the following:

For the wood, make sure the wood is at the correct length, no longer than 25.5". If splitting in the horizontal position, do not split logs over 100 lbs.

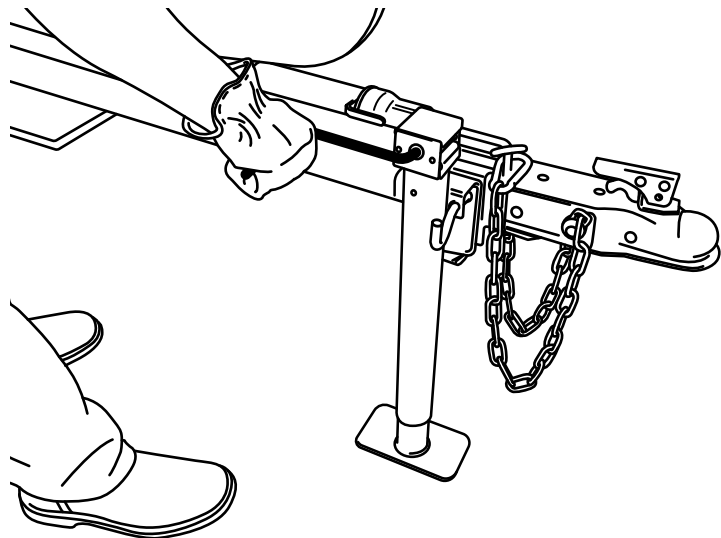
Select a level splitting area, away from wet ground and slippery slopes.

Make sure you have enough light, never operate the splitter in the dark.

Log Splitter Setup

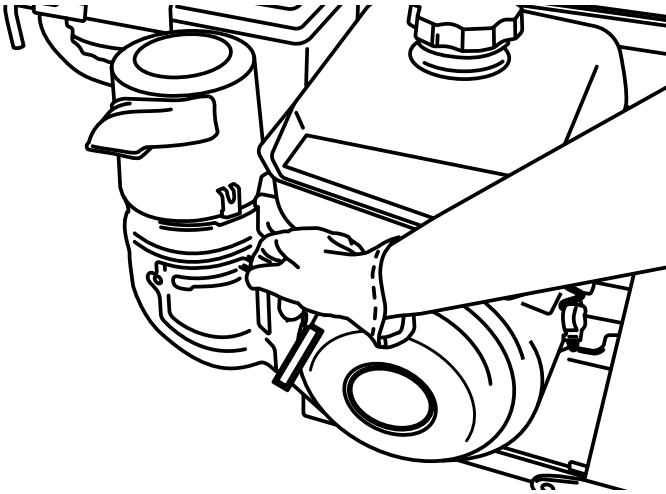
Move log splitter to selected area mentioned above.

Disengage the log splitter from towing vehicle by pulling on the locking lever from the 2" ball coupler and lower the ground or jack stand. Then, disconnect the safety chains.

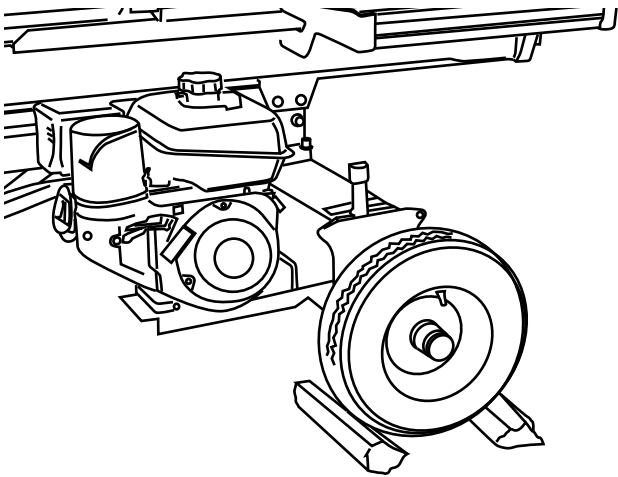


Check the engine oil and hydraulic oil levels to make sure they are at the proper operating range.

Check the engine to make sure it has enough fuel. For additional information concerning the engine oil recommendations and engine starting instructions, please see engine owner's manual for further information.

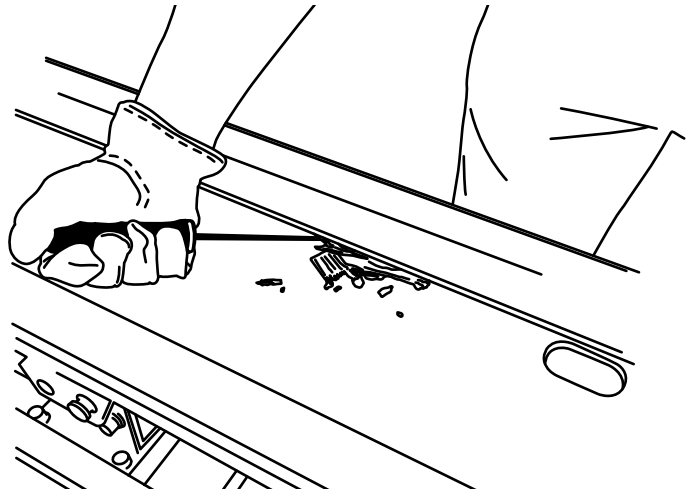


Block wheels by placing wheel chocks on both sides of the wheel to keep the log splitter stable while in use.



Check for loose hose connections, nuts and bolts and other fasteners prior to use.

Make sure the beam rails and debris slots are free of wood chips and debris. This should be cleaned as needed during splitting operation.

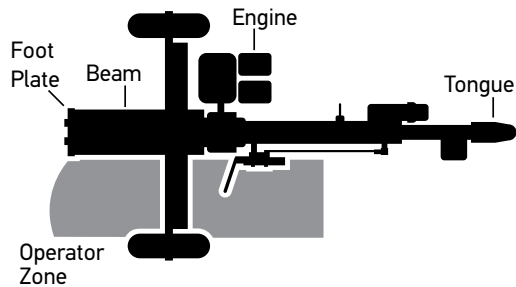


! **WARNING:** See safety information related to general safety, work area, preparations of the log, and operation of the log splitter on pages 7 through 8 of this manual. Make sure that you have the recommended personal protective equipment described previously.

! **CAUTION:** For operation in wooded areas, obtain a spark arrester for the exhaust system, see the engine operating and maintenance manual and check with your authorized engine service center. See Fire Prevention on page 10 of this manual.

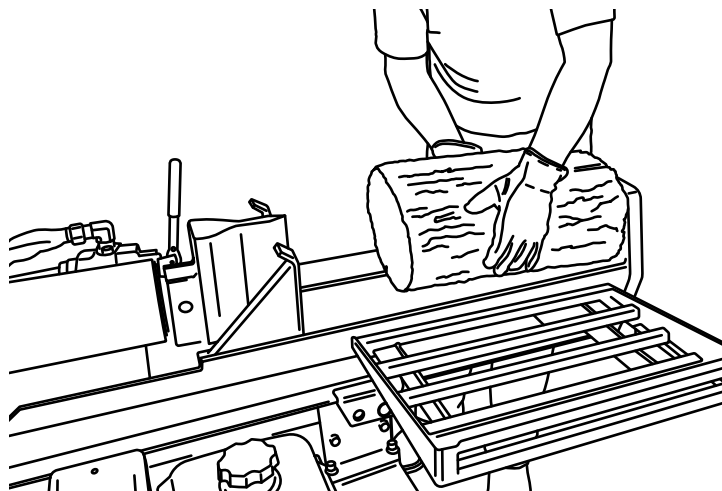
Log Splitter Operation – Horizontal Position

Horizontal Position



Once proper PPE is worn and the engine is started, select your first log to be split, not exceeding 100 lbs.

Place the square cut log onto the beam rails and slide it towards the foot plate.

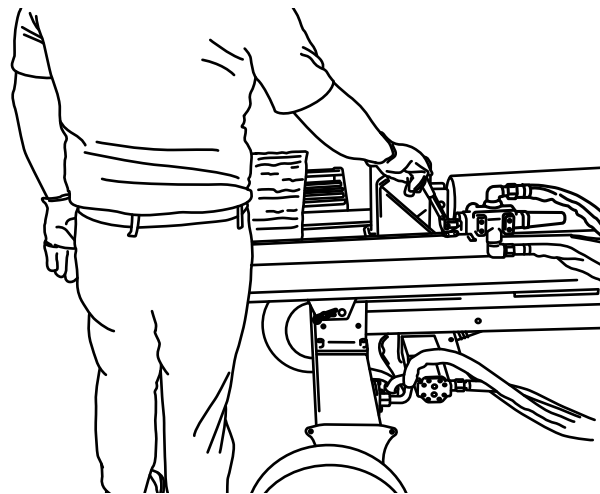


Never place hands between the log and splitting wedge while placing the log onto the beam rails, always handle the log from the sides, not the ends.

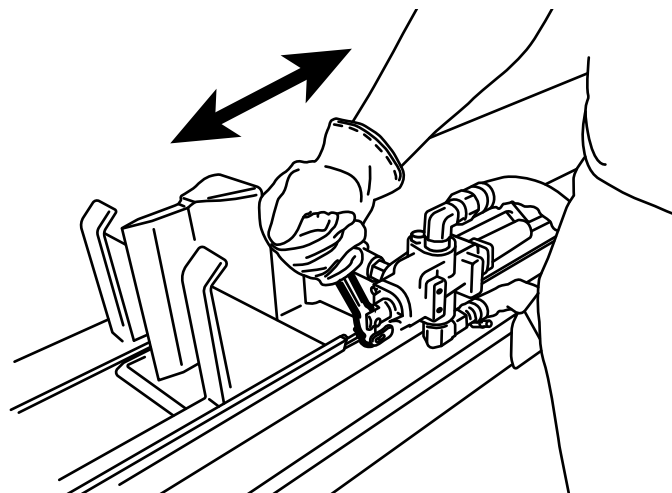
Always split the wood with the grain, not against the grain.

Never split more than one log at a time.

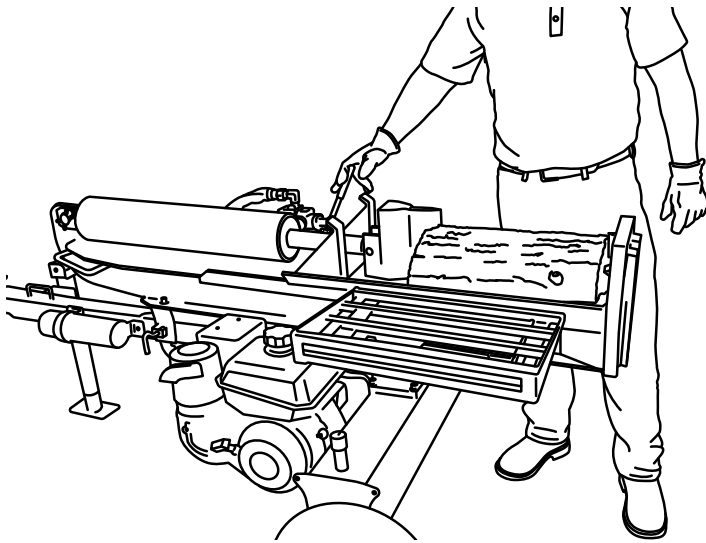
Before engaging the actuator, please ensure that you are standing in the proper location. See diagram.



Once the log is in the proper position, place one hand on the actuator lever of the valve and move it towards the foot plate. This will engage the hydraulics and push the wedge through the log. Apply constant pressure to the lever until the wedge completely splits the wood and cylinder has fully traveled across the beam rails, pull back on the lever to retract the wedge. Once the detent is engaged, the lever will lock in the retract position until it automatically returns to its starting position.



DO NOT place the other hand on the log while the wedge is traveling towards the foot plate. NEVER touch the log while hydraulics are engaged.



If the log does not split completely once the wedge has fully traveled on the beam rails, retract the wedge by pulling back on the handle as describe above and allow the stripper plates to hold the log while the wedge retracts. This will free the stuck log from the wedge.

- **ALWAYS** keep hands away from the log and stripper plates while the wedge retracts.
- **ALWAYS** keep work zone clean of split wood and debris to avoid trip hazards. Remember to keep the beam rails and debris slots free of wood and debris.



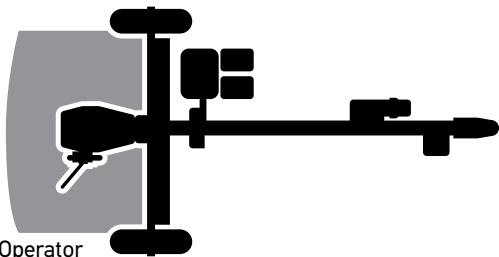
For logs over 100 pounds, we recommend the log splitter to be placed in vertical position.

NOTICE: Holding the valve in the “forward” position at the end of the stroke may damage the pump.

NOTICE: To extend the life of the hydraulic cylinder, avoid “bottoming out” wedge plate to the foot plate. To conform with the industry safety recommendations, the wedge stops at a minimum of 1” from the foot plate.

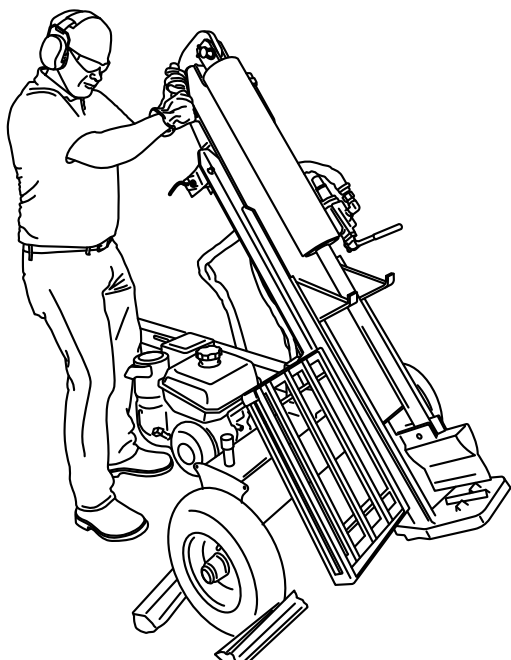
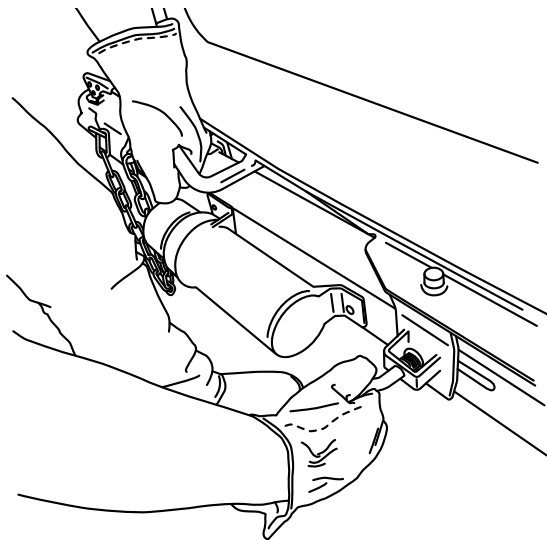
Log Splitter Operation – Vertical Position

Vertical Position



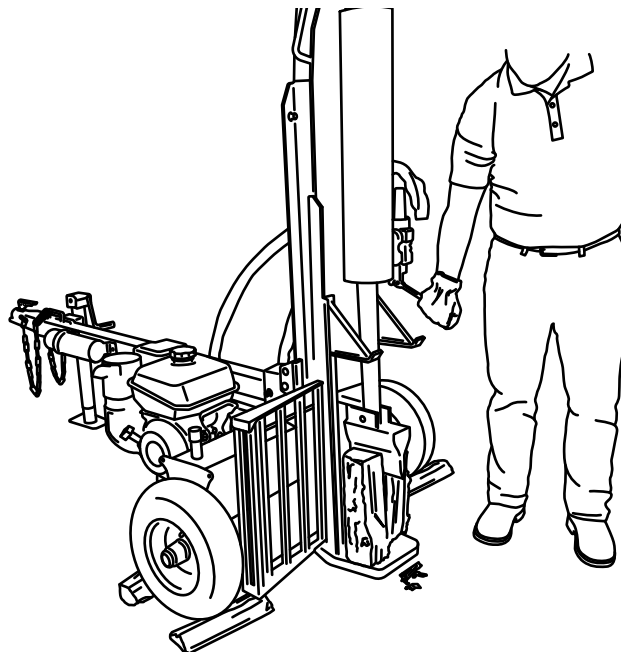
Operator Zone

This is achieved by pulling the beam lock pin and standing the beam up slowly until the foot plate is firmly engaged on the ground and the log splitter is stable.



Once the beam is in the vertical position, engage the beam vertical lock located on the right side of the tongue and beam bracket.

Select a log and roll it to the splitter and place it on the foot plate up against the beam. For large rounds, place a wood block or wedge under the log to keep it firmly secured against the beam.



Once the log is secured, stand in the operator zone shown and engage the valve handle towards the foot plate.

NOTICE: Holding the valve in the “forward” position at the end of the stroke may damage the pump.

NOTICE: To extend the life of the hydraulic cylinder, avoid “bottoming out” wedge plate to the foot plate. To conform with the industry safety recommendations, the wedge stops at a minimum of 1” from the foot plate.

Towing



CAUTION: See safety information related to towing safety on page 6 of this manual.

This log splitter is equipped with pneumatic tires, a class 1 coupler (2 in. diameter ball required) and safety chains. Before towing, the safety chains must be secured to the hitch or bumper of the vehicle. Local regulations should be checked regarding licensing, lights, towing, etc. Turn fuel shut off valve on the engine to the "OFF" position prior to towing. Failure to do so may result in flooding the engine. Do not exceed 45 mph when towing this log splitter. See also Towing Safety on page 6 of this manual.

Maintenance

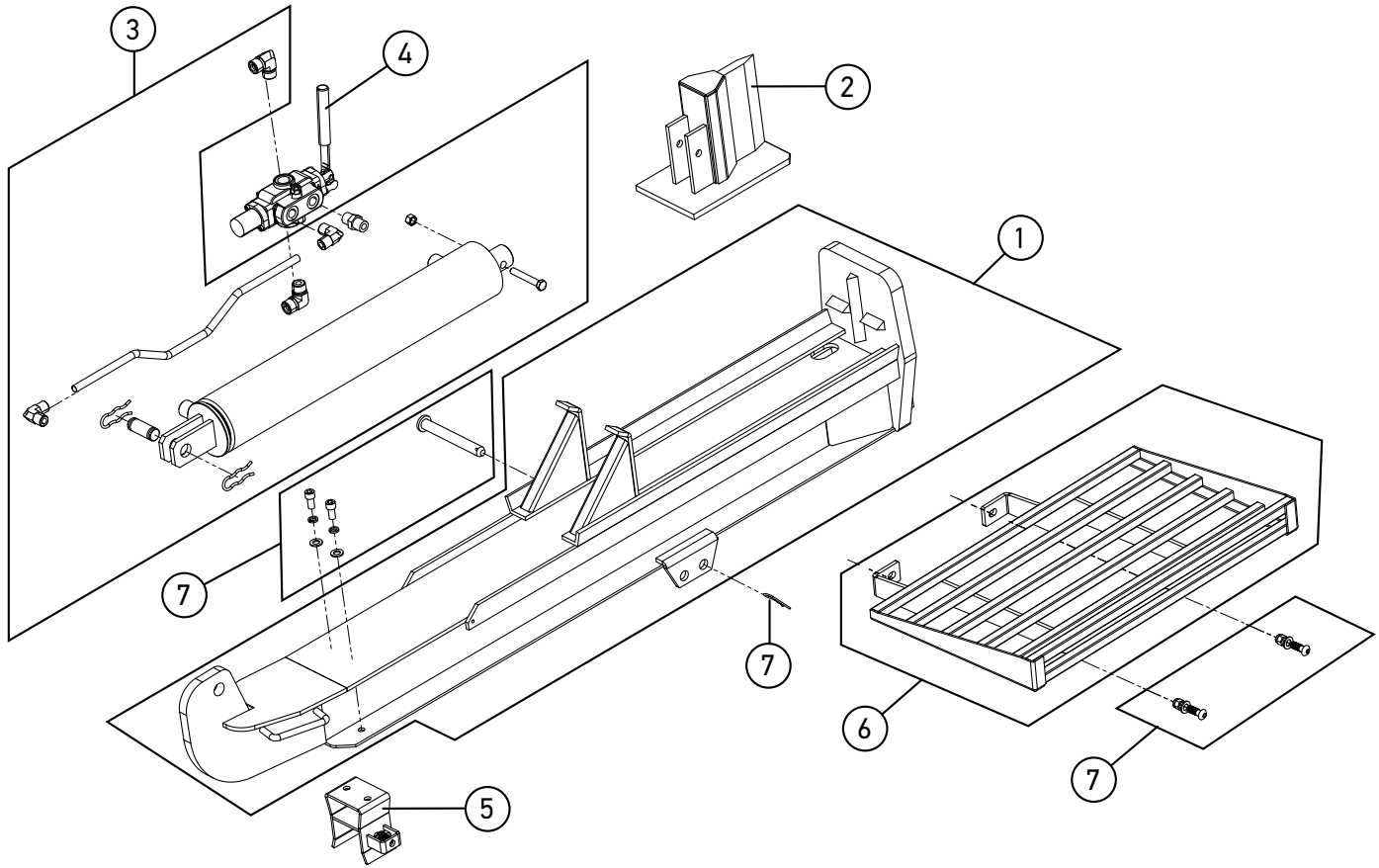


CAUTION: See safety information related to general repair on page 9 and hydraulic safety on page 10.

1. Consult the operating and maintenance instructions of the engine manufacturer for engine care and maintenance.
2. Always check the oil level of the hydraulic reservoir before operation. Operating the log splitter without an adequate oil supply will cause severe damage to the pump.
3. Change the hydraulic oil filter after the first 25 hours of operation. Thereafter, change the oil filter every 100 hours or seasonally, whichever comes first. The filter kit part number is 622528.
4. To drain the hydraulic oil, remove the drain screw on the bottom of the tank.
5. If the wedge becomes dull or nicked, it can be removed and sharpened.
6. Clean the breather cap after 25 hours of operation. Clean it more often when operated in dusty conditions.
7. See also General Repair and Hydraulic Safety on page 9 of this manual.
8. All replacement parts must meet manufacturer's specifications.

Replacement Parts

Beam Assembly



25T

Item	Kit No.	Description
1	622519	Beam 25T, with Oregon Decals
2	622524	8" Wedge, 25T
3	622906	4" Cylinder Kit with Decals
4	622608	Valve, 4100 PSI
5	622520	Beam Lock
6	622576	Log Catcher
7	622492	Hardware Kit
not shown	623308	4" Cylinder Seal Kit

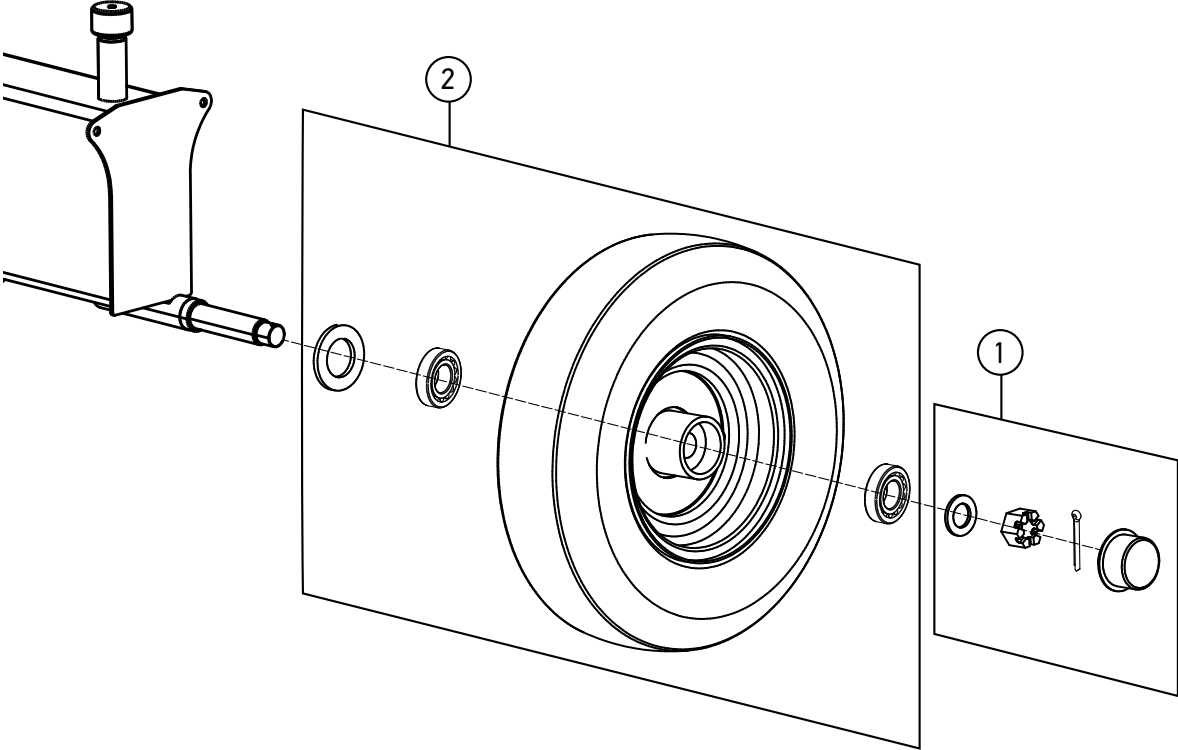
30T

Item	Kit No.	Description
1	622543	Beam 30T, with Oregon Decals
2	624190	8" Wedge, 30T
3	622522	4.5" Cylinder Kit with Decals
4	622546	Valve, 4000 PSI
5	622520	Beam Lock
6	622576	Log Catcher
7	622492	Hardware Kit
not shown	623309	4.5" Cylinder Seal Kit

35T

Item	Kit No.	Description
1	622554	Beam 35T, with Oregon Decals
2	624191	8" Wedge, 35T
3	622545	5" Cylinder Kit with Decals
4	622523	Valve, 3668 PSI
5	622520	Beam Lock
6	622576	Log Catcher
7	622549	Hardware Kit
not shown	623310	5" Cylinder Seal Kit

Wheel Assembly



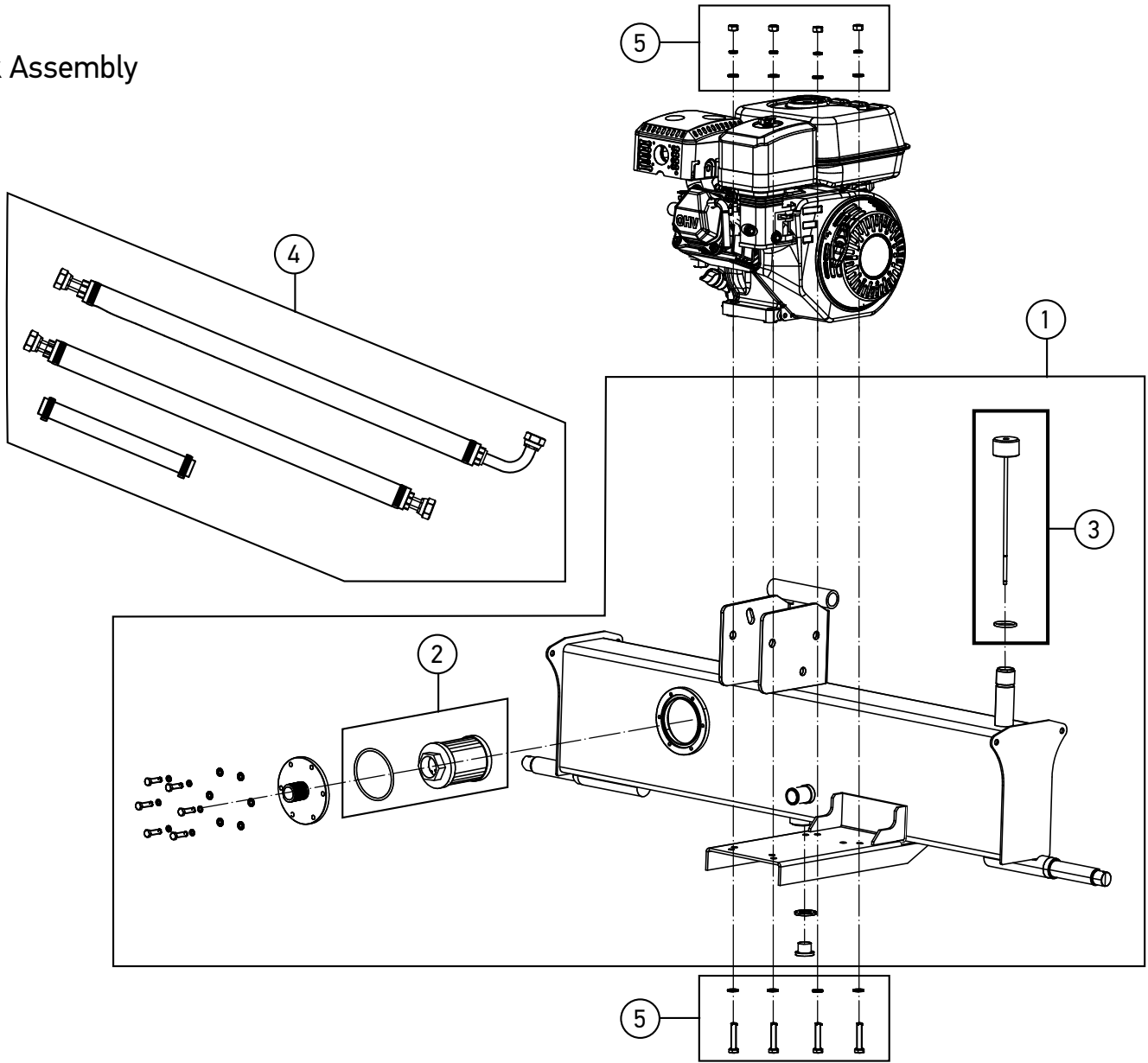
25T & 30T

Item	Kit No.	Description
1	622492	Hardware Kit, Bracket
2	S400312B0	4.8" X 8" Wheel Assembly

35T

Item	Kit No.	Description
1	622549	Hardware Kit, Bracket
2	S400312B0	4.8" X 8" Wheel Assembly

Tank Assembly



25T

Item	Kit No.	Description
1	622526	Assembly Tank, 25T
2	622528	Filter Assembly Kit
3	622529	Vent Cap Assy
4	622497	Hose Kit, Bracket
5	622492	Hardware Kit, 25T & 30T

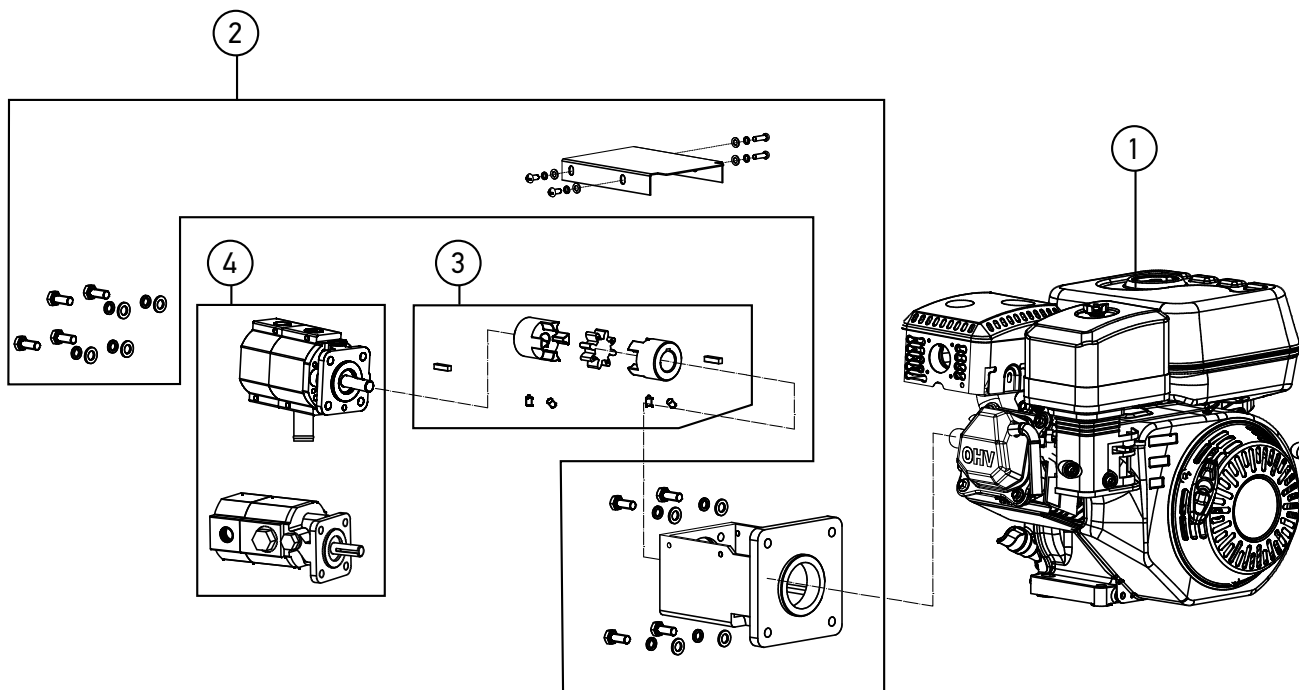
30T

Item	Kit No.	Description
1	622622	Assembly Tank, 30T
2	622528	Filter Assembly Kit
3	622529	Vent Cap Assy
4	622497	Hose Kit, Bracket
5	622492	Hardware Kit, 25T & 30T

35T

Item	Kit No.	Description
1	622626	Assembly Tank, 35T
2	622528	Filter Assembly Kit
3	622529	Vent Cap Assy
4	622497	Hose Kit, Bracket
5	622549	Hardware Kit, 35T

Motor Assembly



25T

Item	Kit No.	Description
1	623641	Motor, Briggs CR950
2	622535	SM Pump Mount Assembly Kit
3	622493	Briggs CR950 CPLR Kit
4	622536	Pump 2-Stage 14 GPM

35T with Briggs XR1450

Item	Kit No.	Description
1	S39054500	Motor, Briggs XR1450
2	625330	MD Pump Mount Assembly Kit
3	622550	Briggs XR1450 CPLR Kit
4	622548	Pump 2-Stage, 17 GPM

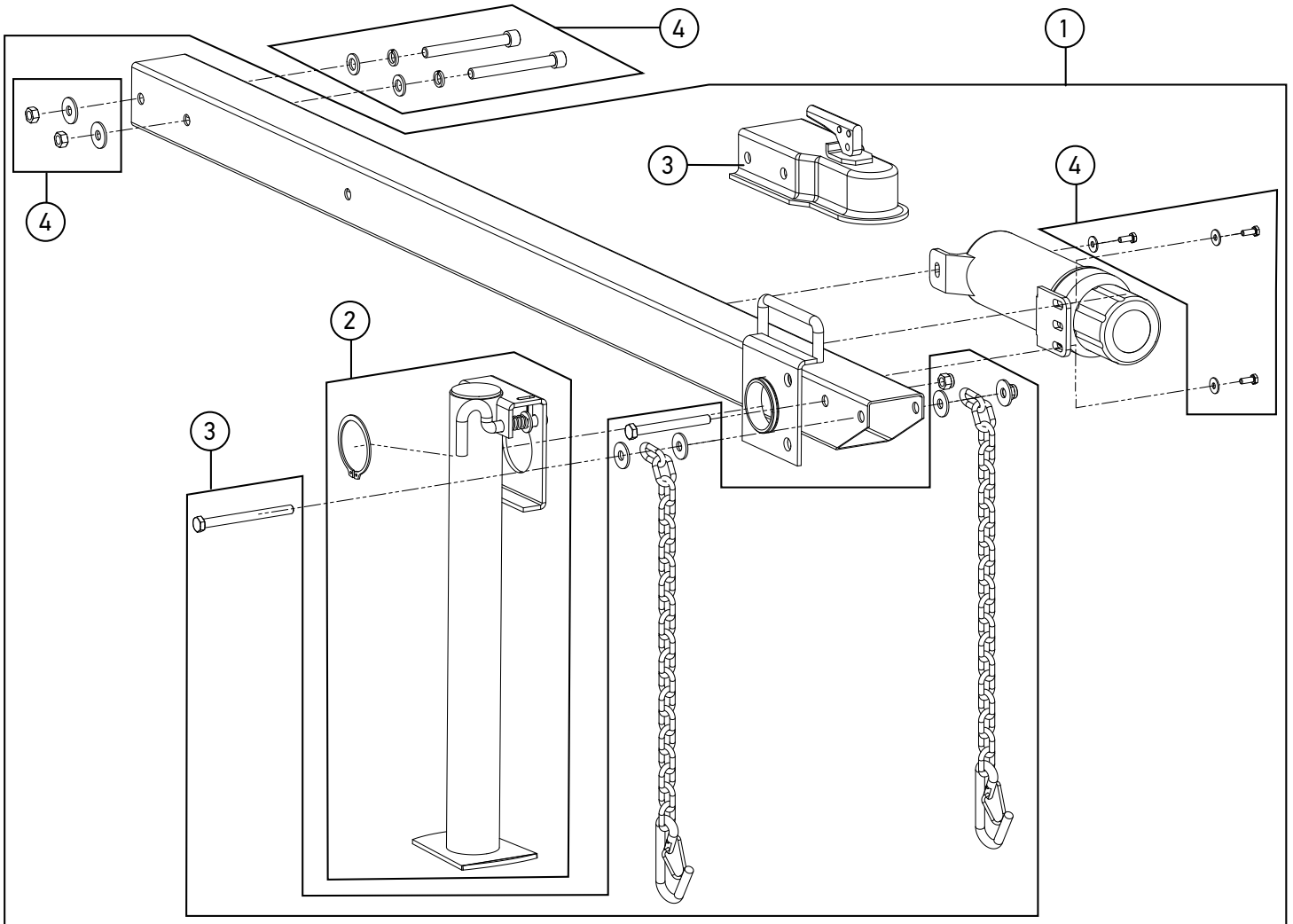
30T

Item	Kit No.	Description
1	622564	Motor, BRIGGS XR1150
2	622535	SM Pump Mount Assembly Kit
3	622538	BRIGGS XR1150 CPLR Kit
4	622536	Pump 2-Stage 14 GPM

35T with Honda GX270

Item	Kit No.	Description
1	S39053100	Motor, Honda GX270
2	623939	LG Pump Mount Assembly Kit
3	623659	Honda GX270 CPLR Kit
4	622548	Pump 2-Stage, 17 GPM

Tongue Assembly



25T & 30T

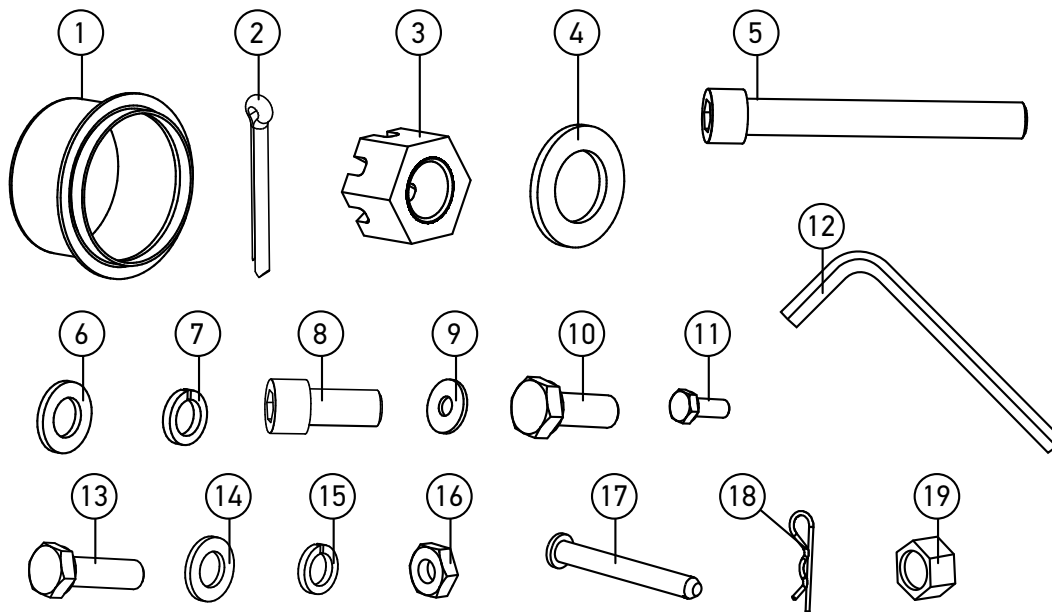
Item	Kit No.	Description
1	622530	Tongue Assembly Ground Stand Kit
2	622533	Ground Stand Kit
3	622532	2in Ball Coupler Kit with Chains
4	622492	Hardware Kit, 25T & 30T

35T

Item	Kit No.	Description
1	622575	Tongue Assembly Jack Stand Kit
2	622578	Jack Stand Kit
3	622532	2in Ball Coupler Kit with Chains
4	622549	Hardware Kit, 35T

622492 Hardware Kit for 25T & 30T

622549 Hardware Kit for 35T



Item	Description	Quantity
1	Dust cap	2
2	4 x 50 Cotter Pin	2
3	M22 Castle Nut	2
4	M22 Flat Washer	2
5	M12 x 110mm Socket Head Cap Screw	2
6	M12 Flat Washer	8
7	M12 Lock Washer	6
8	M12 x 25mm Socket Head Cap Screw	2
9	M6 Flat Washer	3
10	M12 x 35mm Bolt	2
11	M6 x 20mm Hex Head Screw	3
12	Hex Key	1
17	Pin	1
18	R-Clip	1
19	M12 Nut	2

25T & 30T

Item	Description	Quantity
13	M8 x 40mm Bolt	4
14	M8 Flat Washer	8
15	M8 Lock Washer	4
16	M8 Nut	4

35T

Item	Description	Quantity
13	M10 x 45mm Bolt	4
14	M10 Flat Washer	8
15	M10 Lock Washer	4
16	M10 Nut	4

Limited Warranty

This log splitter is guaranteed to be free from defects in material and workmanship for the normal service life of the product not to exceed 24 consecutive months from the date of purchase.

- The cylinder, valve, pump and other hydraulic components are guaranteed for two (2) years from the date of purchase.
- This warranty does not cover/extend to the engine. The engine is covered under a separate manufacturer's warranty and is enclosed with the owner's manual.
- Oregon will repair or replace, free of charge, any part or parts of the log splitter that are judged to be defective in material or workmanship during the limited warranty period stated above.

The limited warranty does not cover parts that in the judgement of the manufacturer have been subjected to negligent use, misuse, alteration, accident, disassembled in any way or if repairs have been made by anyone except an authorized Oregon service center. Warranty claims must include the log splitter identification number and be submitted within thirty days of the date of failure. Defective parts must be returned through an authorized Oregon dealer and transportation charges to the factory must be prepaid. You may register online at OregonProducts.com.

DISCLAIMER OF OTHER WARRANTIES: THIS LIMITED WARRANTY IS THE ONLY WARRANTY FOR THIS PRODUCT. OREGON MAKES NO OTHER WARRANTY, EXPRESS OR IMPLIED, INCLUDING ANY IMPLIED WARRANTY OF MERCHANTABILITY OR FITNESS FOR A PARTICULAR PURPOSE, WITH RESPECT TO THIS PRODUCT. ALL SUCH WARRANTIES ARE EXPRESSLY DENIED.

LIMITATIONS OF LIABILITY: MANUFACTURER ASSUMES NO LIABILITY FOR INCIDENTAL, CONSEQUENTIAL OR PUNITIVE DAMAGES IN CONNECTION WITH THE USE OF THIS PRODUCT, INCLUDING BUT NOT LIMITED TO LIABILITY FOR INJURY, LOSS OF LIFE, PROPERTY DAMAGE, LOSS OF USE, LOSS OF TIME, INCONVENIENCE OR COMMERCIAL LOSS. ANY AND ALL SUCH LIABILITY IS EXPRESSLY EXCLUDED. THESE LIMITATIONS OF LIABILITY APPLY TO ALL SUCH CLAIMS. IN NO EVENT SHALL OREGON BE RESPONSIBLE FOR ANY AMOUNT EXCEEDING THE PURCHASE PRICE OF THIS PRODUCT.

Messages et symboles de sécurité

⚠ AVERTISSEMENT : il est impératif de lire et de bien comprendre toutes les instructions de ce manuel et des autocollants de sécurité avant d'assembler ou d'utiliser cette fendeuse de bûches. Le non-respect de cette règle peut entraîner des blessures graves ou la mort. Ne permettez à personne d'utiliser cette fendeuse de bûches sans avoir lu ce manuel. Comme tout équipement motorisé, une fendeuse de bûches peut être dangereuse si elle est mal assemblée ou mal utilisée. N'utilisez pas cette fendeuse de bûches si vous avez des questions concernant la sécurité de son fonctionnement. Pour obtenir des réponses à vos questions, appelez notre service d'assistance technique au 1-800-525-8322.

Explication des niveaux d'avertissement

Cette section contient des informations sur la sécurité de la fendeuse de bûches Oregon. Ce mode d'emploi contient des AVERTISSEMENTS, des MISES EN GARDE et des REMARQUES concernant l'utilisation sûre de la machine.

⚠ Il s'agit d'un symbole d'alerte de sécurité. Il est utilisé pour vous alerter des risques potentiels de blessures physiques. Respectez tous les messages de sécurité qui suivent ce symbole, afin d'éviter tout risque de blessure ou de décès.



DANGER

Indique un danger associé à un degré de risque élevé qui, s'il n'est pas évité, va causer la mort ou des blessures graves.



AVERTISSEMENT

Indique un danger associé à un degré de risque moyen qui, s'il n'est pas évité, pourrait causer la mort ou des blessures graves.



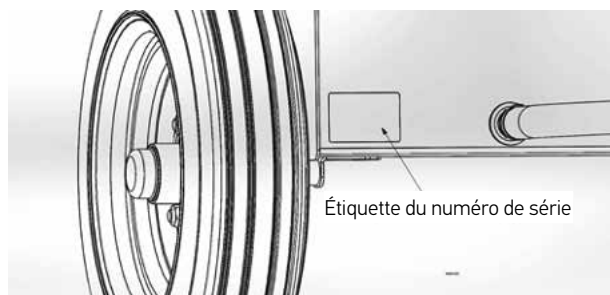
MISE EN GARDE

Indique un danger associé à un degré de risque faible qui, s'il n'est pas évité, pourrait causer des blessures bénignes à modérées.

REMARQUE

Indique une situation potentielle qui, si elle n'est pas évitée, pourrait entraîner l'endommagement de votre fendeuse de bûches ou de vos équipements.

Emplacement de l'étiquette du numéro de série : plaque de réservoir sous la poutre



Notez les informations ci-dessous pour référence future.

Numéro de modèle _____

Date d'achat _____

Numéro de série _____

Lieu d'achat _____

Table des matières

Messages et symboles de sécurité	38	Instructions d'utilisation	61
Explication des niveaux d'avertissement	38	Recommandation sur l'huile hydraulique	61
Spécifications	40	Recommandations sur l'huile de moteur	61
Introduction	41	Utilisation de la fendeuse de bûches	61
Renseignements de sécurité	42	Configuration de la fendeuse de bûches	62
Sécurité du remorquage	42	Fonctionnement de la fendeuse de bûches — Position horizontale	63
Utilisation prévue	43	Fonctionnement de la fendeuse de bûches — Position verticale	65
Équipement de protection individuel	43	Remorquage	66
Sécurité générale	43	Entretien	66
Zone de travail	44	Pièces de rechange	67
Préparation de la bûche	44	Ensemble de la poutre	67
Fonctionnement de la fendeuse de bûches	44	Ensemble de roue	68
Réparations générales	45	Ensemble du réservoir	69
Sécurité hydraulique	46	Ensemble du moteur	70
Prévention des incendies	46	Ensemble de languette	71
Pare-étincelles	48	622492 Kit de matériel pour 25T et 30T	71
Autocollants de sécurité	49	622549 Kit de matériel pour 35T	72
Instructions d'assemblage	53	Garantie limitée	73

Spécifications

Numéro de modèle	OR25TBS-1	OR30TBS-1	OR35TBS-1	OR35THO-1
Moteur	Briggs & Stratton CR950 208 cm ³	Briggs Stratton XR1150 250 cm ³	Briggs & Stratton XR1450 360 cm ³	Honda GX270 270 cm ³
Force de fente maximale*	25 tonnes	30 tonnes	35 tonnes	35 tonnes
Temps de cycle*	11.2 secondes	12.9 secondes	12.7 secondes	12.7 secondes
Pompe	2 phases, 14 gallons par minute	2 phases, 14 gallons par minute	2 phases, 17 gallons par minute	2 phases, 17 gallons par minute
Cylindre	4 in x 24 in avec une tige de 1.75 in de diamètre intérieur	4.5 in x 24 in avec une tige de 1.75 in de diamètre intérieur	5 in x 24 in avec une tige de 2 in de diamètre intérieur	5 in x 24 in avec une tige de 2 in de diamètre intérieur
Soupape	4100 PSI	4161 PSI	3688 PSI	3688 PSI
Longueur de bûche maximale	25.5 in	25.5 in	25.5 in	25.5 in
Roues	Diamètre de 4.5 x 16 in	Diamètre de 4.5 x 16 in	Diamètre de 4.5 x 16 in	Diamètre de 4.5 x 16 in
Hauteur du coin de fendage	Coin de fendage de 8 in de haut	Coin de fendage de 8 in de haut	Coin de fendage de 8 in de haut	Coin de fendage de 8 in de haut
Capacité hydraulique	4.5 gallons	6 gallons	6.6 gallons	6.6 gallons
Filtre	Filtre pour intérieur du réservoir	Filtre pour intérieur du réservoir	Filtre pour intérieur du réservoir	Filtre pour intérieur du réservoir
Hauteur -- Verticale	71 in	71 in	71 in	71 in
-- Horizontale	30.5 in	30.5 in	30.5 in	30.5 in
Largeur	48.4 in	48.4 in	48.4 in	48.4 in
Poids à la livraison	459 lbs.	500 lbs.	575 lbs.	575 lbs.

* Le tonnage et le temps de cycle peuvent varier selon les conditions mécaniques et environnementales.

Introduction

L'objectif de ce manuel est de vous aider à utiliser et à entretenir votre fendeuse de bûches. Lisez-le attentivement. Les informations et les instructions qu'il contient vous aideront à bénéficier de plusieurs années de performance fiable. Certaines informations peuvent être de nature générale en raison de conditions d'exploitation inconnues et variables. Toutefois, grâce à l'expérience et à ces instructions, vous devriez être en mesure d'élaborer des procédures adaptées à votre situation particulière.

Les illustrations et les données utilisées dans ce manuel étaient à jour au moment de l'impression mais, en raison d'éventuelles modifications de la production en ligne, les détails de votre machine peuvent varier légèrement. Nous nous réservons le droit de modifier la conception et nos machines si nécessaire sans notification.

Tout au long de ce manuel, il est fait référence à la direction de droite et à la direction de gauche. Ces dernières sont déterminées en se tenant derrière l'équipement, dans le sens de la marche.

Renseignements de sécurité

Sécurité du remorquage

DANGER

- Ne laissez JAMAIS personne s'asseoir ou monter sur votre fendeuse de bûches.

AVERTISSEMENT

- Ne déplacez JAMAIS votre fendeuse de bûches sur un terrain vallonné ou accidenté sans un véhicule de remorquage ou une aide adéquate.
- Ne transportez JAMAIS de cargaison ou de bois sur votre fendeuse de bûches.
- Ne dépassez JAMAIS la vitesse de 45 mph lorsque vous remorquez votre fendeuse de bûches. Le remorquage de la fendeuse de bûches à des vitesses supérieures à 45 mph pourrait entraîner une perte de contrôle, ou des blessures graves ou mortelles, ou des dommages à l'équipement. Ajustez la vitesse de remorquage en fonction du terrain et des conditions. Soyez très prudent lorsque vous remorquez la fendeuse de bûches sur un terrain accidenté, en particulier aux passages à niveau, et évitez les virages serrés et les angles raides.
- Ne dépassez JAMAIS la capacité de poids de la bille ou les limites de charge de l'attelage.
- Confirmez TOUJOURS le serrage de l'attelage à chaque fois avant et après le remorquage sur 50 miles.
- Déconnectez TOUJOURS votre fendeuse de bûches du véhicule avant de l'utiliser.
- Utilisez TOUJOURS des chaînes de sécurité lorsque vous remorquez votre fendeuse de bûches.
- Vérifiez TOUJOURS toutes les réglementations locales et nationales concernant le remorquage, les permis et les feux avant de remorquer votre fendeuse de bûches.
- Vérifiez TOUJOURS avant le remorquage que la fendeuse de bûches est correctement et solidement fixée au véhicule tracteur et que les chaînes de sécurité sont fixées à l'attelage ou au pare-chocs du véhicule avec une zone lâche suffisante pour permettre de tourner.
- Utilisez TOUJOURS une bille de classe 1, 2 in avec cette fendeuse de bûches.
- Remplacez TOUJOURS la bille ou l'attelage s'ils sont endommagés ou excessivement usés.

MISE EN GARDE

- Faites TOUJOURS attention lorsque vous reculez votre fendeuse de bûches remorquée. Elle pourrait se mettre en portefeuille.
- Prévoyez TOUJOURS une longueur supplémentaire de votre fendeuse de bûches lors des virages, du stationnement, des croisements et dans toutes les situations de conduite.

AVIS

- Si applicable, mettez TOUJOURS le robinet d'arrêt de conduit d'essence du moteur en position « OFF » avant de remorquer la fendeuse de bûches. Le non-respect de cette règle peut noyer le moteur.
- Soulevez TOUJOURS les supports et fixez la poutre vers le bas et en avant pour le transport.

Utilisation prévue

DANGER

- N'utilisez **JAMAIS** cette fendeuse de bûches à d'autres fins que le fendage du bois de chauffage. La machine est conçue pour cette utilisation uniquement. Toute autre utilisation peut entraîner des blessures graves ou la mort.

Équipement de protection individuel



AVERTISSEMENT

- **AVANT** d'utiliser cette fendeuse de bûches, assurez-vous de porter des équipements de sécurité tels que des lunettes de protection, des chaussures à embout d'acier et des gants bien ajustés (serrés aux poignets et sans cordons de serrage). Portez toujours un appareil de protection auditive lorsque vous utilisez cette fendeuse de bûches.

Sécurité générale

DANGER

- Ne laissez **JAMAIS** les enfants ou les personnes qui ne disposent pas des instructions et de la compréhension nécessaires faire fonctionner cette fendeuse de bûches.
- Ne portez **JAMAIS** de vêtements amples ou de bijoux qui pourraient être happés par les pièces mobiles de la fendeuse de bûches. Tenez les vêtements et les cheveux éloignés de toutes les pièces mobiles lorsque vous utilisez cette fendeuse de bûches.

AVERTISSEMENT

- Conservez **TOUJOURS** le manuel d'utilisation dans le tube de rangement pour référence. Relisez le manuel régulièrement.
- Maintenez **TOUJOURS** les passants et les animaux domestiques à une distance minimale de 10 feet de votre zone de travail lorsque vous utilisez cette fendeuse de bûches. Seul l'opérateur doit se trouver à proximité de la fendeuse de bûches pendant l'utilisation.
- N'actionnez **JAMAIS** l'unité de contrôle avant que toutes les personnes aient quitté la zone de travail.
- Ne faites **JAMAIS** fonctionner la fendeuse de bûches sous l'influence de l'alcool, de drogues, de médicaments, ou si vous n'êtes pas assez alerte pour faire fonctionner des machines dangereuses.

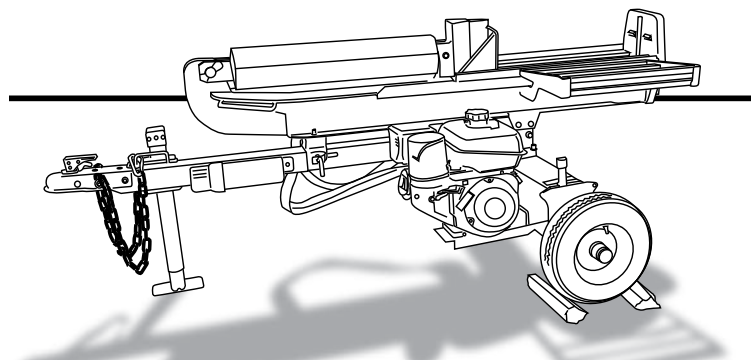
Zone de travail

DANGER

- Ne faites **JAMAIS** fonctionner la fendeuse de bûches dans un endroit clos. Les gaz d'échappement contiennent du monoxyde de carbone qui peut être mortel lorsqu'il est inhalé.

AVERTISSEMENT

- Ne faites **JAMAIS** fonctionner la fendeuse de bûches sur un sol glissant, humide, boueux ou glacé.
- Bloquez **TOUJOURS** les roues avant l'utilisation.
- Faites fonctionner la fendeuse de bûches **UNIQUEMENT** sur un terrain plat. Le fonctionnement sur une pente pourrait renverser la fendeuse de bûches ou provoquer la chute des bûches.
- Faites fonctionner la fendeuse de bûches **UNIQUEMENT** à la lumière du jour ou sous une bonne lumière artificielle.
- Maintenez **TOUJOURS** la zone de travail propre. Retirez immédiatement le bois fendu autour de la fendeuse de bûches pour éviter les accidents.

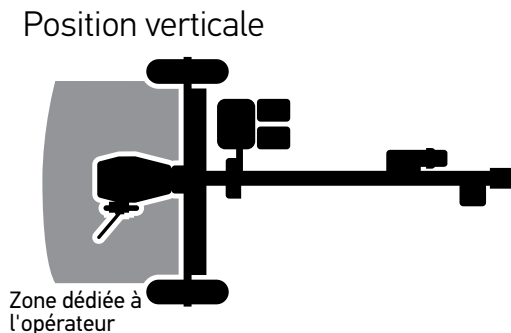
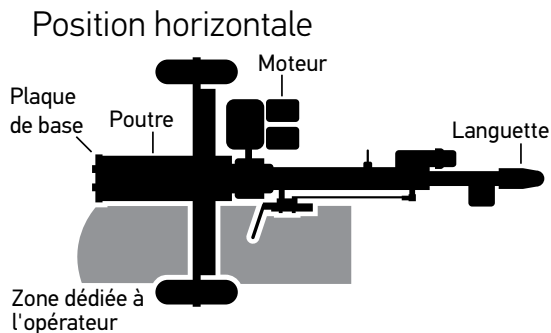


Préparation de la bûche

Les deux extrémités de la bûche doivent être coupées aussi carrées que possible pour éviter que la bûche ne sorte de la fendeuse pendant le fonctionnement. Ne fendez pas de bûches de plus de 25.5 in de longueur.

Fonctionnement de la fendeuse de bûches

La fendeuse de bûches ne doit être utilisée que par un seul utilisateur dans la zone de l'opérateur, comme indiqué sur le schéma. Tenez à l'écart tous les passants et les animaux de compagnie. C'est à cet endroit que l'opérateur a l'accès le plus sûr et le plus efficace à la vanne de contrôle et à la poutre. L'utilisation de la fendeuse de bûches dans une autre configuration peut entraîner des blessures graves ou la mort.



- Ne fendez **JAMAIS** une bûche de plus de 100 lbs en position horizontale.
- Configurez **TOUJOURS** la fendeuse de bûches dans une zone claire et plane. Le non-respect de cette règle peut entraîner une instabilité de la fendeuse de bûches.
- Bloquez **TOUJOURS** les roues pour empêcher le mouvement de la fendeuse de bûches pendant le fonctionnement.
- Vous devez **SAVOIR** comment arrêter la fendeuse de bûches et désengager les commandes avant de la faire fonctionner.
- **Ne** placez **JAMAIS** les mains ou les pieds entre la bûche et le coin de fendage pendant les trajets en avant ou en arrière, car cela pourrait entraîner des blessures graves ou la mort.
- **Ne** chevauchez ou n'enjambez **JAMAIS** la fendeuse de bûches pendant le fonctionnement.
- **Ne** vous baissez ou ne vous penchez **JAMAIS** sur la fendeuse de bûches pour ramasser une bûche.
- **Ne** fendez **JAMAIS** plus d'une bûche à la fois.
- N'essayez **JAMAIS** de fendre une bûche à contre-fil.
- N'essayez **JAMAIS** de charger la fendeuse de bûches lorsque le vérin ou le coin est en mouvement.
- N'utilisez **JAMAIS** votre pied, une corde ou tout autre dispositif d'extension pour actionner le levier de commande de la valve. N'utilisez que la main.
- **Ne** déplacez **JAMAIS** la fendeuse de bûches lorsque le moteur tourne. Arrêtez le moteur si vous laissez la fendeuse de bûches, même pour une courte période.
- **Ne** touchez **JAMAIS** le silencieux et les zones chaudes du moteur pendant le fonctionnement. Attendez que le moteur refroidisse.

Réparations générales

AVERTISSEMENT

- Ne modifiez **JAMAIS** votre fendeuse de bûches de quelque manière que ce soit. De telles modifications peuvent rendre votre fendeuse de bûches dangereuse et annuler la garantie.
- Ne modifiez **JAMAIS** le moteur pour le faire tourner à des vitesses excessives. Le régime maximal du moteur est pré réglé par le constructeur, et est fixé dans des limites de sécurité. Faire tourner le moteur à des vitesses excessives annule la garantie. Reportez-vous au manuel du propriétaire du moteur pour votre fendeuse de bûches précise.
- N'effectuez **JAMAIS** d'entretien ou de réparation sur votre fendeuse de bûches sans avoir préalablement retiré le fil de la bougie d'allumage.
- Remplacez **TOUJOURS** et immédiatement toutes les pièces endommagées ou usées.
- Assurez-vous **TOUJOURS** que toutes les pièces de rechange sont conformes aux spécifications du fabricant.

MISE EN GARDE

- Ne faites **JAMAIS** fonctionner votre fendeuse de bûches lorsqu'elle est en mauvais état mécanique ou qu'elle a besoin d'être réparée.
- Effectuez **TOUJOURS** toutes les procédures de maintenance recommandées avant d'utiliser votre séparateur de bûches.

AVIS

- Vérifiez **TOUJOURS** le niveau de l'huile hydraulique et de l'huile moteur avant l'utilisation.
- Vérifiez **TOUJOURS** périodiquement que tous les écrous, boulons, vis, raccords hydrauliques et colliers de serrage sont bien serrés.

Sécurité hydraulique

Le système hydraulique de votre fendeuse de bûches nécessite une inspection minutieuse, tout comme les pièces mécaniques. Veillez à remplacer les tuyaux ou composants hydrauliques effilochés, pliés, fissurés ou autrement endommagés.

DANGER

- Ne vérifiez **JAMAIS** les fuites de liquide hydraulique avec la main. Le fluide qui s'échappe d'un petit trou peut être presque invisible. Le fluide qui s'échappe sous pression peut avoir une force suffisante pour pénétrer la peau et causer des **BLESSURES GRAVES** ou même la **MORT**. Les fuites peuvent être détectées en toute sécurité en passant un morceau de carton sur la fuite suspectée et en recherchant la décoloration.
- Consultez toujours immédiatement un professionnel de la santé en cas de blessure causée par une fuite de liquide hydraulique. Une infection ou une réaction grave peut se développer si un traitement médical approprié n'est pas administré immédiatement.

 **AVERTISSEMENT**

- Ne retirez **JAMAIS** le bouchon du réservoir ou du réservoir hydraulique lorsque la fendeuse de bûches fonctionne. Le réservoir pourrait contenir de l'huile chaude sous pression, ce qui pourrait entraîner des blessures graves.
- Ne réglez **JAMAIS** la vanne hydraulique. La soupape de surpression de votre fendeuse de bûches est préréglée à l'usine. Seul un technicien de service qualifié doit effectuer ce réglage.

 **MISE EN GARDE**

- Assurez-vous **TOUJOURS** de relâcher toute la pression en arrêtant le moteur et en déplaçant la poignée de commande de la soupape d'avant en arrière s'il s'avère nécessaire de desserrer ou de retirer un raccord hydraulique.

Prévention des incendies

 **AVERTISSEMENT**

- Ne faites **JAMAIS** fonctionner votre fendeuse de bûches à proximité d'une flamme ou d'une étincelle, ou de fumée pendant le fonctionnement. L'huile hydraulique et l'essence sont inflammables et peuvent exploser.
- Ne remplissez **JAMAIS** le réservoir d'essence lorsque le moteur est chaud ou en marche. Laissez le moteur refroidir avant de faire le plein.
- Faites le plein de votre fendeuse de bûches **UNIQUEMENT** dans un endroit clair et bien ventilé, sans émanations de gaz ni gaz répandu.
- Remettez **TOUJOURS** le bouchon du réservoir en place.
- Si l'essence s'est déversée, éloignez la fendeuse de bûches de la zone de déversement et évitez de créer une source d'inflammation jusqu'à ce que le gaz déversé se soit évaporé.
- Nettoyez **TOUJOURS** les débris de bois du moteur, du silencieux et de la poutre.
- Stockez **TOUJOURS** l'essence dans un récipient approuvé, hermétiquement fermé et à l'écart des appareils de chauffage. Stockez le conteneur dans un lieu sec et frais.

 **MISE EN GARDE**

- Vidangez **TOUJOURS** le réservoir de carburant avant le stockage pour éviter les risques d'incendie.

Pare-étincelles

Cette fendeuse de bûches est équipée d'un moteur à combustion interne et ne doit pas être utilisée sur ou à proximité d'un terrain non amélioré recouvert de forêt, de broussailles ou d'herbe, à moins que le système d'échappement du moteur ne soit équipé d'un pare-étincelles conforme aux lois locales ou de l'État applicables (le cas échéant). Dans l'État de Californie, un pare-étincelles est exigé par la loi.




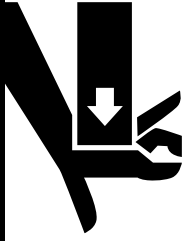
D'autres États ont des lois similaires. Les lois fédérales s'appliquent sur les territoires fédéraux. Vérifiez toujours les dispositions légales en vigueur dans votre région.

Si un pare-étincelles est utilisé, il doit être maintenu en bon état de fonctionnement par l'opérateur. Un silencieux pare-étincelles facultatif est disponible comme accessoire chez votre concessionnaire de moteurs le plus proche.

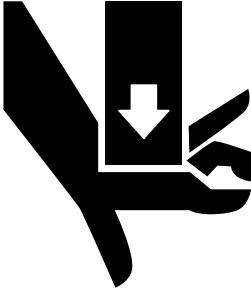



Par mesure de précaution contre d'éventuelles étincelles volantes, emportez toujours un extincteur de classe B lorsque vous utilisez cette fendeuse de bûches dans des zones sèches.

Autocollants de sécurité

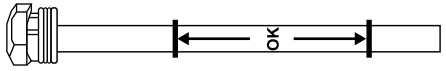
Assurez-vous que tous les autocollants d'avertissement de sécurité sont en bon état et lisibles. Remplacez toujours les autocollants manquants ou abîmés. Appelez le 1-800-525-8322 pour obtenir des autocollants de remplacement. Le numéro de matériau du kit d'autocollants de sécurité est 622521.

 WARNING	 ADVERTENCIA	 AVERTISSEMENT	
<p>To minimize risk of serious injury or death to you or others, when towing log splitter:</p> <ul style="list-style-type: none"> - Read manual for how to properly attach coupler to hitch ball and how to safely tow. - Use correct ball size. - Do not exceed weight capacity of ball or load limits of coupler. - Always use safety chains. - Never exceed 45 mph. - Avoid sharp turns and steep angles. - Confirm coupler tightness each time before towing and after towing 50 miles. - Replace ball or coupler if damaged. 	<p>Para minimizar el riesgo de lesiones severas o la muerte a usted o a terceros mientras remolca una cortadora de troncos:</p> <ul style="list-style-type: none"> - Lea el manual para saber cómo adherir el acople a la esfera del enganche y cómo remolcar en forma segura. - Use el tamaño de esfera correcto. - No exceda la capacidad de peso de la esfera ni los límites de carga del acople. - Siempre use cadenas de seguridad. - Nunca exceda los 45 mph. - Evite los giros bruscos y los ángulos marcados. - Revise la firmeza del acople todas las veces antes de remolcar y después de remolcar una distancia de 50 mil las. - Reemplace la esfera o el acople si están dañados. 	<p>Pour minimiser les risques de blessures graves ou mortelles pour vous et pour les autres pendant le remorquage de la fendeuse hydraulique:</p> <ul style="list-style-type: none"> - Lira le manuel pur savoir comment accrocher correctement le coupleur à la boule d'attelage et remorquer de manière sécuritaire. - Utiliser une boule de la bonne grosseur. - Ne pas dépasser la capacité pondérale de la boule ni les limites de charge du coupleur. - Toujours utiliser des chaînes de sécurité. - Ne jamais dépasser une vitesse de 45 m/h. - Éviter les virages serrés et les angles d'approche accentués. - S'assurer du serrage du coupleur à chaque fois, avant et après un remorquage sur 50 miles. - Remplacer le coupleur ou la boule d'attelage s'ils sont endommagés. 	

NUMÉRO DE PIÈCE : S52062500
EMPLACEMENT : CÔTÉ, EXTRÉMITÉ AVANT DE LA LANGUETTE

	 DANGER
	Crush Hazard Keep hands clear when cutting wedge is moving.
	 PELIGRO
	Riesgo de aplastamiento Mantenga las manos alejadas cuando la cuña de corte está en movimiento.
	 DANGER
	Danger d'écrasement Tenir les mains éloignées lorsque le bord tranchant est en mouvement
S52062200E	

NUMÉRO DE PIÈCE : S52062200
EMPLACEMENT : HAUT DU CYLINDRE


NOTICE
To prevent damage to the hydraulic system, do not fill tank beyond "OK" range on dipstick. Use universal hydraulic fluid or DEXTRON II Transmission Fluid. Use 10W AW32, ASLE H-150, or ISO 32 type hydraulic fluid.
AVISO
Para prevenir daños en el sistema hidráulico, no llene el tanque más allá de la marca "OK" en la varilla. Use fluido hidráulico universal o fluido de transmisión DEXTRON II. Use fluido hidráulico tipo 10W AW32, ASLE H-150 o ISO 32.
AVIS
Pour prévenir les dommages du système hydraulique, ne pas remplir le réservoir au-delà la marque « OK » apparaissant sur la jauge graduée. Utilisez un fluide hydraulique universel ou le liquide pour Transmission DEXTRON II. Utilisez un fluide hydraulique de type 10W AW32, ASLE H-150, ou ISO 32.
S52062400 AB 03/20

NUMÉRO DE PIÈCE : S52062400 EMPLACEMENT : RÉSERVOIR HYDRAULIQUE RÉSERVOIR INFÉRIEUR, COIN DROIT

<p>⚠ WARNING</p> <p>To minimize the risk of serious injury or death:</p> <ul style="list-style-type: none"> • Read and thoroughly understand owner's manual and engine manual before assembly, operation, towing and maintenance. • Only one operator permitted. Must operate in operator safe zone. Keep all bystanders and pets away. • Do not step or reach over splitter during operation. • Hold logs by the sides, never by ends. • Keep hands, body, and clothing away from moving parts when splitting. • Do not operate indoors. • Do not check for high pressure oil leaks with your hands. Use cardboard. • Wear safety glasses, shoes, and hearing devices. • Do not operate if tired or under influence of alcohol or drugs. • Hot surface. Do NOT touch hot cylinder.
<p>OPERATING INSTRUCTIONS</p> <ol style="list-style-type: none"> 1. Place splitter on dry, level surface. Remove debris. 2. Start engine. Advance throttle to max. 3. Place log onto beam, against foot plate. 4. Split wood in direction of grain. 5. Move control handle to EXTEND or RETRACT as needed.
<p>Control Valve</p> <p>Retract ▲</p> <p>●</p> <p>Extend ▼</p>
<p>For Responsive Service or if manual is missing Call 1-800-525-8322 or visit SpeeCo.com</p>
<p>⚠ ADVERTENCIA</p> <p>Para minimizar el riesgo de lesiones severas o la muerte:</p> <ul style="list-style-type: none"> • Lea y asegúrese de entender completamente el manual del usuario y el manual del motor antes de proceder a las operaciones de montaje, operación, remolque y mantenimiento. • Se permite solo un operador por vez, que debe operar en la zona segura para el operador. Todos los transeúntes y mascotas deben mantenerse alejados. • No se pare ni pase sobre la cortadora de troncos durante la operación. • Sostenga los troncos por los costados, nunca por los extremos. • Mantenga las manos, el cuerpo y la ropa alejadas de las partes en movimiento durante la operación. • No opere en interiores. • No inspeccione para determinar si hay filtraciones de aceite de alta presión con las manos, utilice cartón. • Utilice antiparras, calzado de seguridad y dispositivos para la protección de los oídos. • No opere el equipo si se siente cansado o está bajo la influencia del alcohol o las drogas. • Superficie caliente. NO toque el cilindro caliente.
<p>INSTRUCCIONES DE OPERACIÓN</p> <ol style="list-style-type: none"> 1. Coloque la cortadora sobre una superficie seca y nivelada. Quite toda la suciedad que haya sobre la superficie. 2. Arranque el motor. Lleve el acelerador a la posición máxima. 3. Coloque el tronco sobre el brazo, contra el pedal. 4. Corte la madera en la dirección de la veta. 5. Mueva la palanca de control para EXTENDER o RETRAER, según resulte necesario.
<p>Válvula de control</p> <p>Retraer ▲</p> <p>●</p> <p>Extender ▼</p>
<p>Para solicitar servicio o si falta el manual, llame al 1-800-525-8322 o visite SpeeCo.com</p>
<p>⚠ AVERTISSEMENT</p> <p>Pour minimiser les risques de blessures graves ou mortelles :</p> <ul style="list-style-type: none"> • Lire et bien comprendre le manuel du propriétaire et le manuel du moteur avant tout assemblage, fonctionnement, remorquage et entretien. • Un seul opérateur est autorisé. Doit fonctionner dans une zone sécuritaire pour l'opérateur. Tenir tous les spectateurs et animaux à distance. • Ne pas marcher sur la refenduse ni passer par-dessus pendant le fonctionnement. • Tenir les rondins par les côtés, jamais par les extrémités. • Tenir les mains, le corps et les vêtements éloignés des pièces mobiles lors du fendage. • Ne pas faire fonctionner à l'intérieur. • Ne pas vérifier les fuites d'huile à haute pression avec vos mains. Utiliser un carton. • Porter des lunettes et souliers de sécurité ainsi qu'un dispositif de protection auditive. • Ne pas faire fonctionner si vos facultés sont affaiblies par l'alcool ou des drogues. • Surface chaude. NE PAS toucher le cylindre chaud.
<p>DIRECTIVES DE FONCTIONNEMENT</p> <ol style="list-style-type: none"> 1. Placer la refenduse sur une surface sèche et nivelée. Enlever les débris. 2. Démarrer le moteur. Avancer la manette de poussée au maximum. 3. Placer le rondin sur la poutre, contre la palette d'appui-pied. 4. Fendre le bois dans le sens du grain. 5. Déplacer la poignée de commande vers DEPLOYER ou RETRACTER, au besoin.
<p>Valve de commande</p> <p>Rétracter ▲</p> <p>●</p> <p>Déployer ▼</p>
<p>Pour un service attentif ou si vous n'avez pas de manuel, composez le 1-800-525-8322 ou visitez SpeeCo.com</p>

NUMÉRO DE PIÈCE : S52062100
EMPLACEMENT : HAUT DU CYLINDRE HYDRAULIQUE



NUMÉRO DE PIÈCE : S52062300
EMPLACEMENT : PLAQUE DE DÉVÊTISSAGE, CÔTÉ NON-OPÉRATEUR

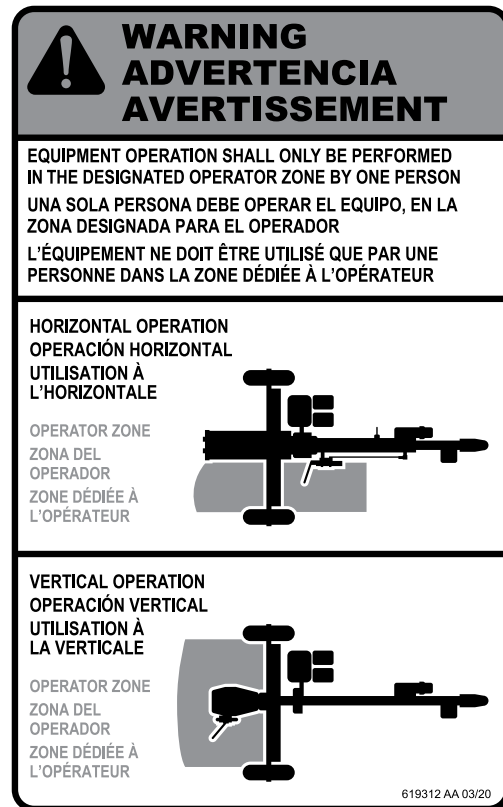


NUMÉRO DE PIÈCE : S52062600
EMPLACEMENT : PLAQUE DE DÉVÊTISSAGE, CÔTÉ OPÉRATEUR



NUMÉRO DE PIÈCE : 622869
 EMBLACEMENT : CAISSE

BANDE RÉFLÉCHISSANTE
 NUMÉRO DE PIÈCE : S52020700
 EMBLACEMENT : ARRIÈRE DU RÉSERVOIR






NUMÉRO DE PIÈCE : 619312
 EMBLACEMENT : RÉSERVOIR



NUMÉRO DE PIÈCE : 582221
 EMBLACEMENT : LANGUETTE



NUMÉRO DE PIÈCE : 608317
 EMBLACEMENT : LANGUETTE

 WARNING ADVERTENCIA AVERTISSEMENT	
	<p>Explosive fuel can cause fires and severe burns. Stop engine before filling fuel tank. Leave 5/8" (16 mm) at top of tank for fuel expansion. Read owner's manual.</p> <p>La explosión de combustible puede causar incendios y quemaduras graves. Pare el motor ante de llenar el tanque de combustible. Deje 5/8" (16 mm) en la parte superior del tanque para la expansión del combustible. Lea el manual del propietario.</p>
	<p>Le carburant explosif peut entraîner des incendies et des brûlures graves. Arrêter le moteur avant de remplir le réservoir de carburant. Laisser un espace vide de 5/8 po (16 mm) en haut du réservoir pour l'expansion du carburant. Lire le manuel du propriétaire.</p> <p><small>621827 AA 03/20</small></p>

NUMÉRO DE PIÈCE : 621827

EMPLACEMENT : RÉSERVOIR DE CARBURANT

Instructions d'assemblage

Cette fendeuse de bûches est partiellement assemblée en usine. Veuillez vous référer aux illustrations et à la liste des pièces détachées s'il s'avère nécessaire de démonter l'appareil pour réparer ou remplacer des pièces. Les illustrations figurant dans ce manuel sont données uniquement à titre de référence. Certains des composants de votre fendeuse de bûches peuvent avoir un aspect légèrement différent.



MISE EN GARDE : pour éviter les blessures, demandez toujours de l'aide lorsque vous déplacez ou assemblez des éléments plus lourds, comme la poutre.

Outils requis

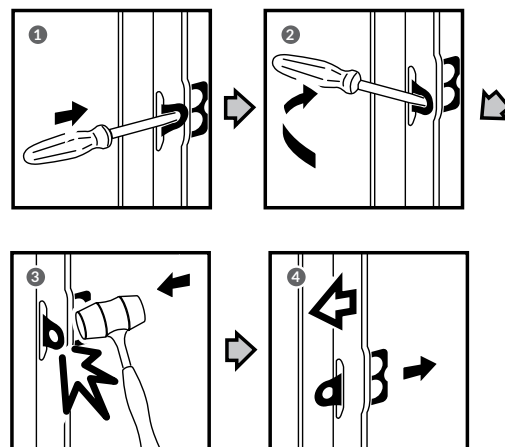
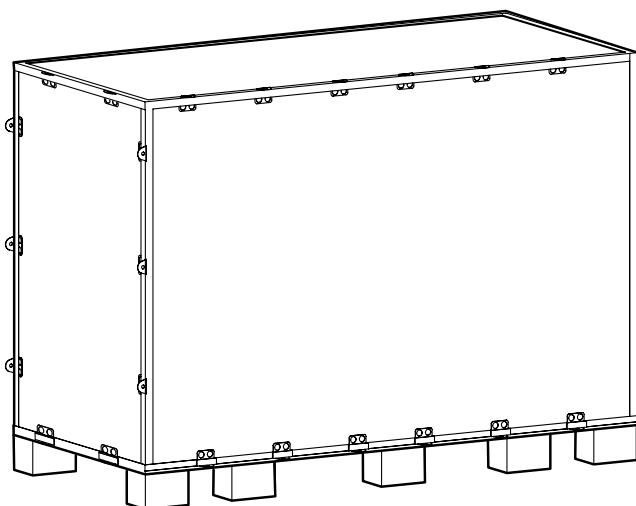
Tournevis à tête plate de 1/4 in de large	Clé hexagonale de 10 mm (incluse)
Marteau	Pincès à becs pointus
Clé de 10 mm	Lame de nivellement
Clé de 13 mm	
Clé de 18 mm	
Clé de 19 mm	

Étape 1 :

- 1a : Retirez le dessus et les côtés en ouvrant tous les verrous latéraux en métal. Soyez prudent, car un déplacement peut avoir eu lieu.
- 1b : Retirez les objets en vrac de la caisse et mettez-les de côté.
- 1c : Coupez toutes les sangles de maintien et inspectez chaque pièce pour voir si elle est endommagée.
- 1d : Notez que les éléments suivants sont inclus dans la caisse :

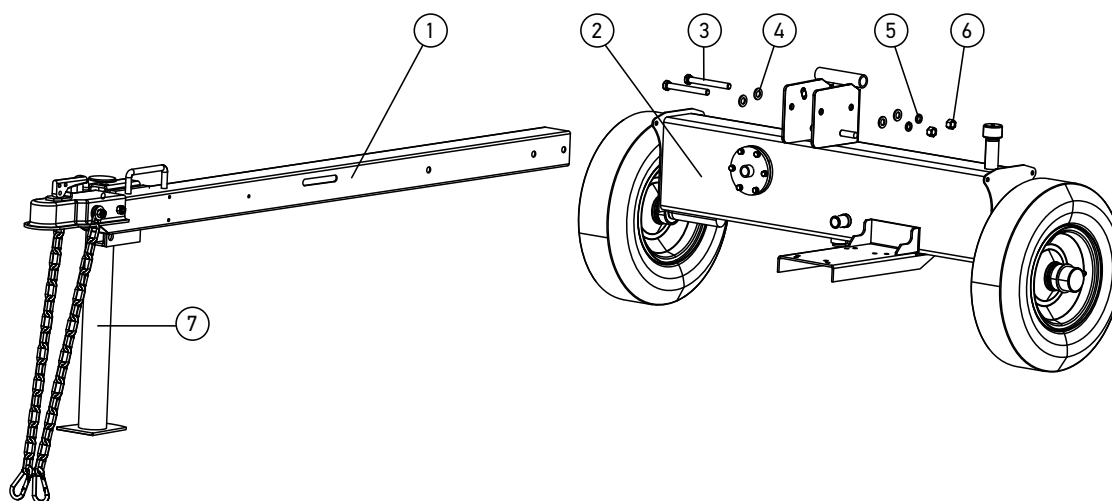
Description	Quantité	Description	Quantité
Ensemble de la poutre	1	Ensembles de roue	2
Ensemble du réservoir	1	Support de bûche	1
Ensemble moteur/pompe	1	Kit matériel	1
Tuyaux de pression	2	Cartouche manuelle	1

Remarque : si une pièce est endommagée, contactez votre revendeur ou le transporteur de livraison.



Étape 2 :

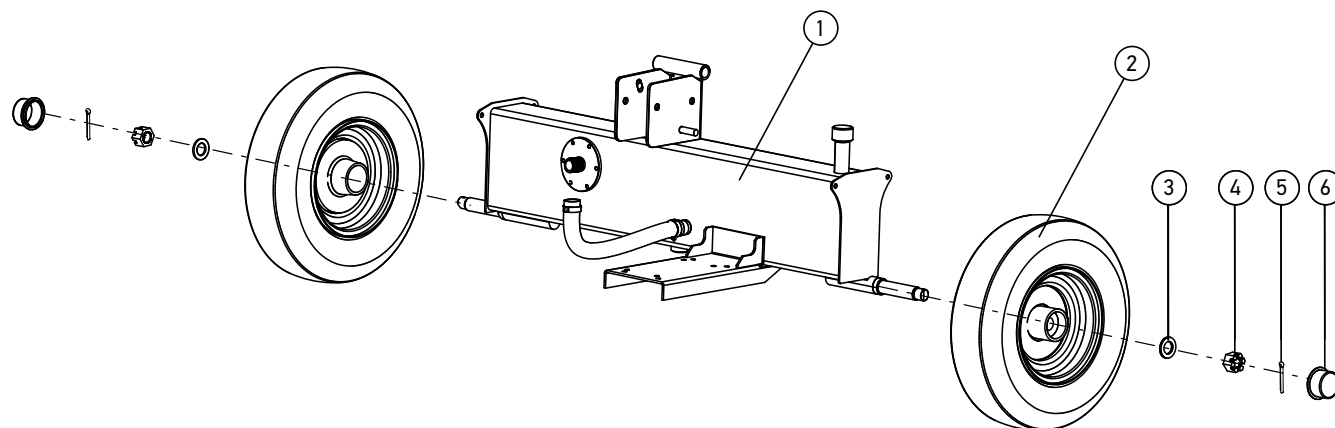
- 2a : Localisez l'assemblage de la languette et faites tourner le cric en position basse.
- 2b : Retirez le boulon de maintien qui fixe le réservoir à la base de la palette.
- 2c : Positionnez la languette de manière à ce que les trous de fixation soient alignés avec les trous de fixation de la languette du réservoir.
- 2d : Insérez les deux boulons M12 x 110 mm avec une rondelle plate sous la tête du boulon.
- 2e : Installez une rondelle plate, une rondelle de blocage et un écrou sur chaque boulon et serrez.



Article	Description	Quantité
1	Ensemble de languette	1
2	Ensemble du réservoir	1
3	Boulon M12 x 110	2
4	Rondelle plate	4
5	Rondelle de blocage	2
6	Écrou M12	2
7	Support de retenue / Support de vérin	1

Étape 3 :

- 3a : Faites tourner l'ensemble de la languette du réservoir sur le coin de la base de la caisse, de sorte que les axes soient dégagés de la base.
- 3b : Repérez les assemblages de roues, les rondelles plates, les écrous dégagés à créneaux, les goupilles fendues et les capuchons anti-poussière dans le kit de matériel.
- 3c : Retirez le capot de protection d'un axe d'essieu et le capot en plastique d'une roue.
- 3d : Installez la roue (avec la tige de soupape pointée), le roulement extérieur, la rondelle plate et l'écrou dégagé à créneaux.
- 3e : Serrez l'écrou dégagé à créneaux jusqu'à ce qu'il soit bien serré et faites tourner la roue de trois tours complets pour mettre les roulements en place.
- 3f : Dévissez (desserrez) l'écrou dégagé à créneaux juste assez pour aligner le trou de l'axe avec les encoches de l'écrou dégagé à créneaux, ce qui permet d'installer la goupille fendue. Ne le desserrez pas plus que nécessaire pour installer la goupille fendue.
- 3g : Faites tourner la roue pour vérifier qu'elle tourne librement. Remarque : une petite quantité de jeu est acceptable.
- 3h : Insérez la goupille fendue et fendez/pliez l'extrémité de la goupille à gauche et à droite.
- 3i : Installez le capuchon anti-poussière.
- 3j : Répétez les étapes décrites ci-dessus pour l'installation de l'autre roue.



Article	Description	Quantité
1	Ensemble du réservoir	2
2	Ensemble de roue	2
3	Rondelle plate	2
4	Écrou dégagé à créneaux	2
5	Goupille fendue	2
6	Capuchon anti-poussière	2

Étape 4 :

4a : Retirez les deux boulons de maintien qui fixent la poutre au fond de la caisse.

4b : Faites glisser la poutre vers le bas de manière à ce que la plaque de pied dépasse le bord du fond de la caisse.

4c : À l'aide de deux personnes ou d'un dispositif de levage approprié, placez l'ensemble de la poutre à l'extrémité comme indiqué, en vous assurant que la poutre se trouve sur une surface stable et plane.



MISE EN GARDE : demandez à une personne de stabiliser la poutre jusqu'à ce qu'elle soit fixée à l'ensemble réservoir/langue.

4d : Repérez l'axe de pivot et l'agrafe de type R du kit de matériel.

4e : Faites rouler l'ensemble réservoir/langue en position, en alignant le tube pivot situé sur l'ensemble réservoir avec les trous situés sur les deux languettes qui se trouvent sur la poutre.

4f : Faites glisser l'axe de pivot dans les deux trous et fixez-le avec l'agrafe de type R.

4g : Engagez le verrou vertical de la poutre situé près du tube pivot de l'ensemble du réservoir.

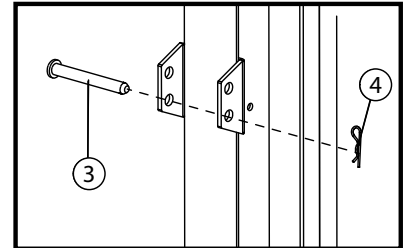
4h : Avec la poutre en position verticale, placez la poutre sur le verrou à languette (2) M12 x 25 SHCS, (2) rondelles plates M12 et (2) rondelles de blocage M12 du kit de quincaillerie.

4i : Placez le verrou de la poutre en position et alignez les trous.

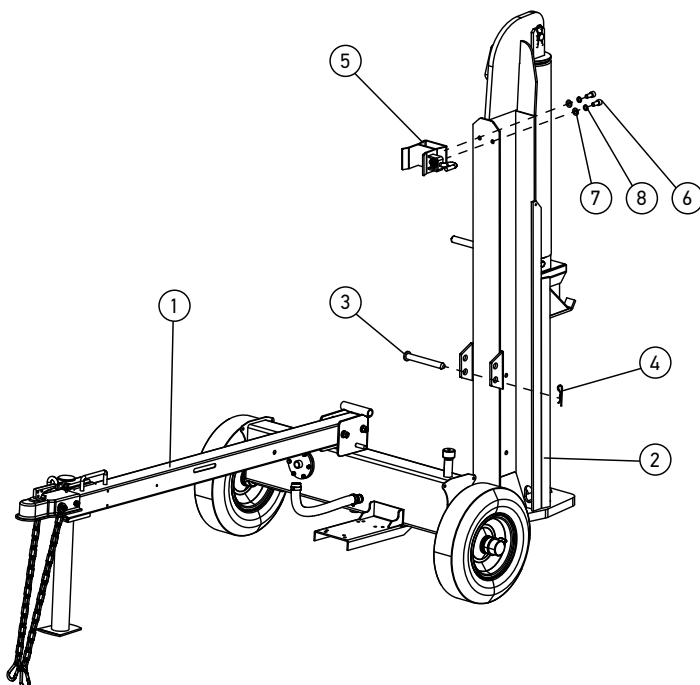
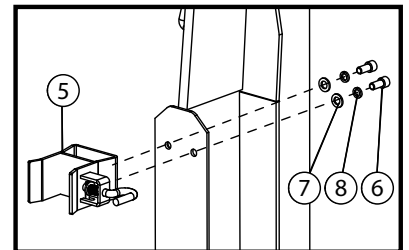
4j : Fixez le verrou de la poutre en place à l'aide de la clé hexagonale et du matériel fournis.

4k : Abaissez la poutre en position horizontale et vérifiez que le faisceau se verrouille sur la languette.

4f:



4j:



Article	Description	Quantité
1	Ensemble du réservoir et de la languette	1
2	Ensemble de la poutre	1
3	Goupille	1
4	Agrafe de type R	1
5	Verrou de poutre	1
6	Vis M12 x 25	2
7	Rondelle plate	2
8	Rondelle de blocage	2

Étape 5 :

5a : Localisez l'ensemble du moteur et de la pompe et retirez les deux boulons de maintien.

5b : Placez l'ensemble moteur/pompe sur la plaque moteur située sur l'ensemble du réservoir.

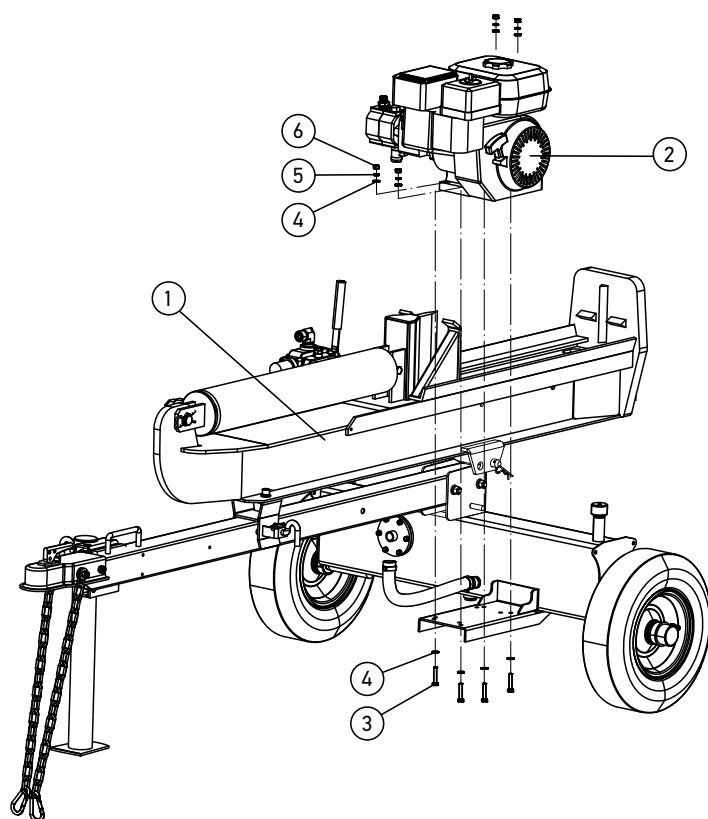
5c : **Pour les modèles 25T et 30T**

Trouvez dans le kit de matériel (4) boulons M8 x 40, (8) rondelles plate #8, (4) rondelles de blocage #8 et (4) écrous M8.

Pour les modèles 35T

Trouvez dans le kit de matériel (4) boulons M10 x 45, (8) rondelles plates #10, (4) rondelles de blocage #10 et (4) écrous M10.

5d : Installez-les comme indiqué et serrez.

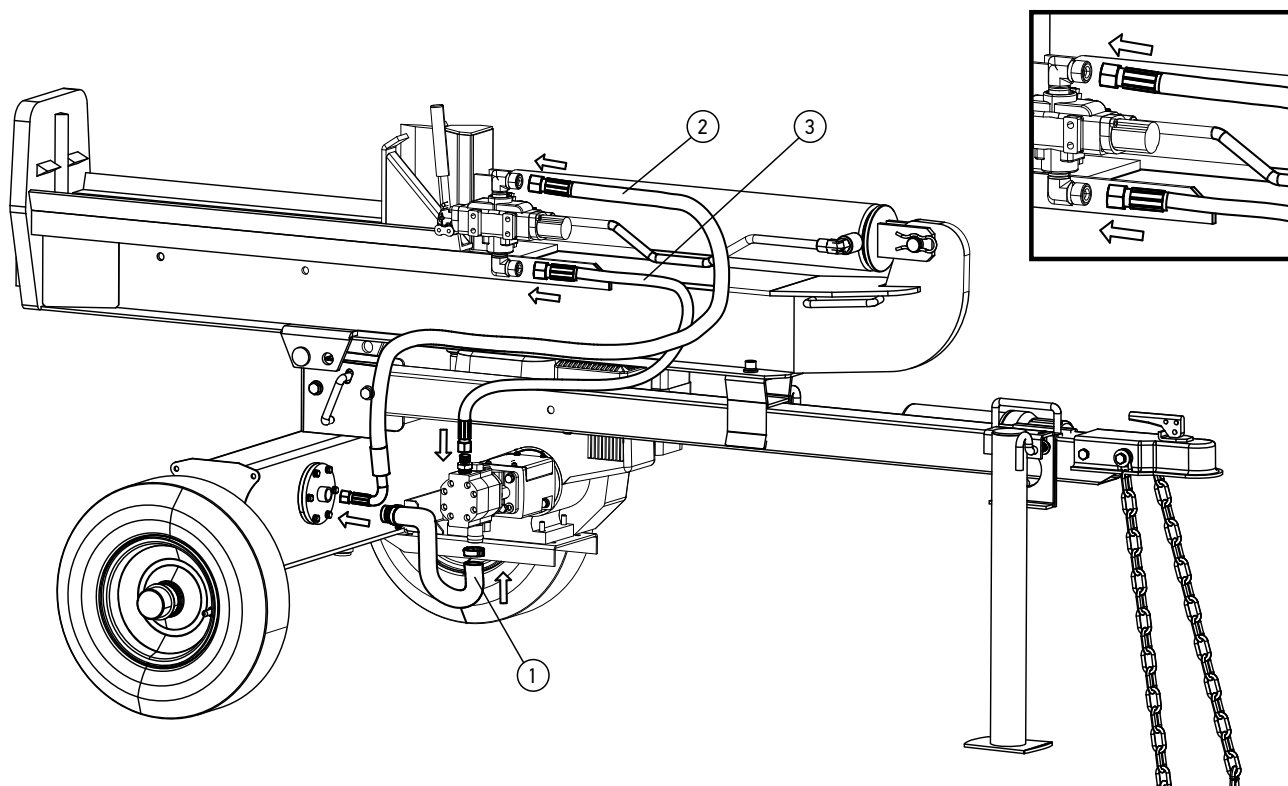


Article	Description	Quantité
1	Ensemble de fendeuse de bûches	1
2	Ensemble du moteur et de la pompe	1
25T et 30T		
3	Boulon M8 x 40	4
4	Rondelle plate M8	8
5	Rondelle de blocage M8	4
6	Écrou M8	4
35T		
3	Boulon M10 x 45	4
4	Rondelle plate M10	8
5	Rondelle de blocage M10	4
6	Écrou M10	4

Étape 6 :

- 6a : Retirez le capuchon anti-poussière en plastique situé à l'extrémité du tube d'aspiration et desserrez le collier de serrage du tuyau.
- 6b : Faites glisser le tuyau sur le tube d'aspiration situé sur le bas de la pompe hydraulique et serrez le collier.
- 6c : Localisez les deux tuyaux à pression et retirez les capuchons situés aux extrémités.
- 6d : Prenez le tuyau avec l'extrémité à 90 degrés et fixez-le au couvercle rond du filtre et serrez comme indiqué.
- 6e : Fixez l'autre extrémité à l'ensemble de la valve comme indiqué.
- 6f : Prenez le reste du tuyau et fixez-le à la pompe et serrez comme indiqué.
- 6g : Fixez l'autre extrémité à l'ensemble de la valve comme indiqué.

Remarque : les connecteurs de tuyau sont conçus pour ne s'adapter qu'à la connexion correcte et ne peuvent pas être connectés au mauvais endroit.



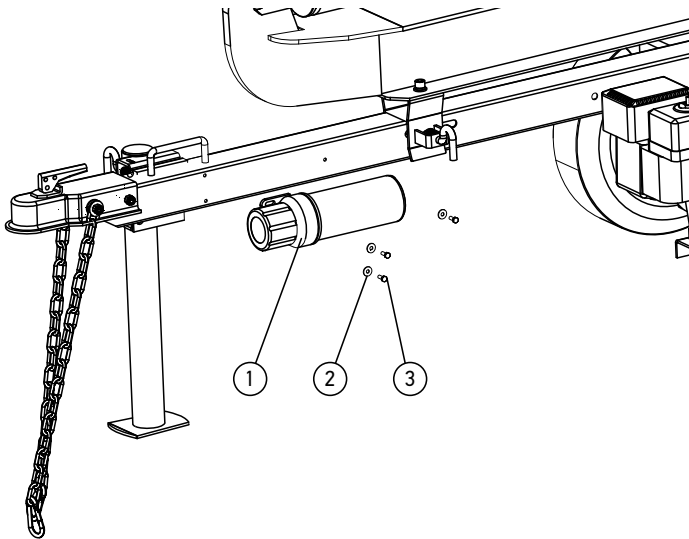
Article	Description	Quantité
1	Tuyau d'aspiration	1
2	Tuyau de retour	1
3	Tuyau de pression	1

Étape 7 :

7a : Trouvez la cartouche manuelle, (3) vis M6 et (3) rondelles plates M6 dans le kit de matériel.

7b : Retirez le capuchon de la cartouche manuelle pour faciliter l'installation.

7c : Installez la cartouche manuelle avec le matériel fourni.



Article	Description	Quantité
1	Cartouche manuelle	1
2	Rondelle M6	3
3	Vis M6 x 20. Boulon	3

Étape 8 :

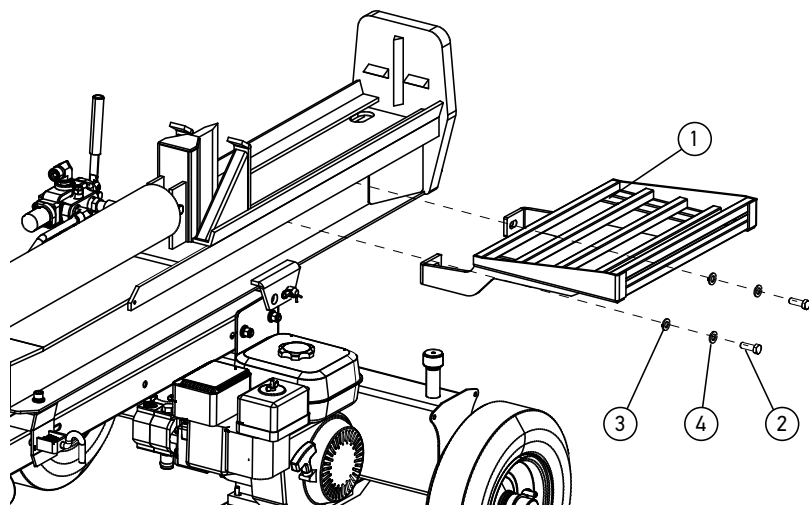
8a : Trouvez la boîte d'accessoires du dispositif de réception des bûches.

8b : Retirez le contenu et vérifiez l'absence de dommages. Remarque : Si une pièce est endommagée, contactez votre revendeur ou le transporteur de livraison.

8c : Trouvez (2) boulons M12 x 35 mm, (2) rondelles plates M12 et (2) rondelles de blocage M12

8d : Alignez les orifices du dispositif de réception des bûches avec les trous de la poutre.

8e : Fixez le dispositif de réception des bûches à l'aide du matériel fourni et serrez.



Article	Description	Quantité
1	Support de bûche	1
2	Boulon M12 x 35	2
3	Rondelle de 12 mm	2
4	Rondelle de blocage M12	2

Instructions d'utilisation



AVERTISSEMENT : il est impératif de lire et de bien comprendre toutes les instructions de ce manuel et des autocollants de sécurité avant d'assembler ou d'utiliser cette fendeuse de bûches. Le non-respect de cette règle peut entraîner des blessures graves ou la mort. Ne permettez à personne d'utiliser cette fendeuse de bûches sans avoir lu ce manuel. Comme tout équipement motorisé, une fendeuse de bûches peut être dangereuse si elle est mal assemblée ou mal utilisée. N'utilisez pas cette fendeuse de bûches si vous avez des questions concernant la sécurité de son fonctionnement. Pour obtenir des réponses à vos questions, appelez notre service d'assistance technique au 1-800-525-8322.

REMARQUE : cette fendeuse de bûches n'inclut PAS l'huile hydraulique ou l'huile moteur. Suivez les instructions ci-dessous pour le remplissage du réservoir hydraulique. Reportez-vous au manuel du propriétaire du moteur pour des informations sur l'ajout d'huile.



MISE EN GARDE : ne démarrez pas et ne faites pas tourner le moteur avant d'avoir ajouté de l'huile dans le réservoir hydraulique et de l'huile dans le moteur.

Recommandation sur l'huile hydraulique

ÉTAPE 1 : le réservoir hydraulique doit être rempli d'huile avant de fonctionner. L'huile hydraulique AW22 ou AW32 est recommandée lorsque l'on a besoin d'huile. Le fluide de transmission automatique peut être remplacé et doit être utilisé à la place de l'huile hydraulique lorsque les températures sont inférieures à 32 °F. N'utilisez que de l'huile propre et veillez à ce que la saleté ne pénètre pas dans le réservoir hydraulique. Remplissez le réservoir hydraulique avec suffisamment de liquide hydraulique jusqu'à ce que le niveau se trouve entre les repères supérieurs et inférieurs de la jauge.

ÉTAPE 2 : après avoir rempli le réservoir hydraulique et le carter du moteur avec l'huile et le liquide hydraulique recommandés, remplissez le moteur de carburant et démarrez. Avec le moteur à plein régime, déplacez le levier de la valve hydraulique vers la plaque de base jusqu'à ce que le vérin s'arrête, puis poussez le levier de la valve dans la direction opposée et relâchez. Le vérin reviendra à la position de départ. Répétez cette procédure plusieurs fois pour remplir le vérin et expulser l'air.

Remarque :

- Le mouvement erratique du vérin indique qu'il y a encore de l'air dans le système.
- La pompe hydraulique s'amorce de façon autonome.

Après avoir fait tourner le vérin hydraulique plusieurs fois, arrêtez le moteur et faites l'appoint de liquide hydraulique, et cherchez les fuites.

Recommandations sur l'huile de moteur

Pour les recommandations concernant l'huile moteur et les instructions de démarrage du moteur, veuillez consulter le manuel du propriétaire du moteur pour plus d'informations.

Utilisation de la fendeuse de bûches

Suivez les instructions suivantes avant de faire fonctionner la fendeuse de bûches :

Assurez-vous que le bois est à la bonne longueur, pas plus de 25.5 in. Si vous fendez en position horizontale, ne fendez pas les bûches de plus de 100 lbs.

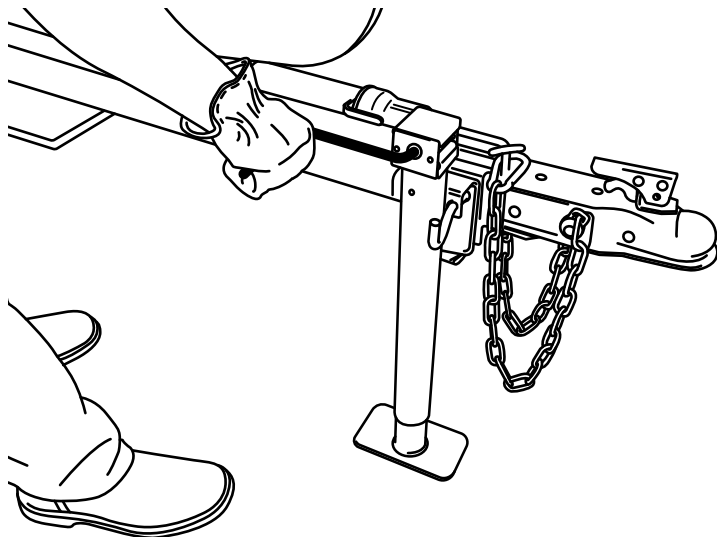
Choisissez une zone de fendage de niveau, loin des sols humides et des pentes glissantes.

Assurez-vous d'avoir suffisamment de lumière, ne faites jamais fonctionner la fendeuse dans l'obscurité.

Configuration de la fendeuse de bûches

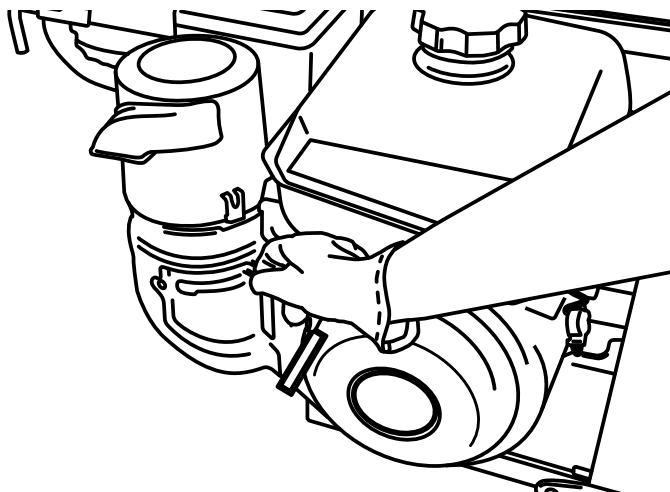
Déplacez la fendeuse de bûches vers la zone sélectionnée mentionnée ci-dessus.

Désengagez la fendeuse de bûches du véhicule en tirant sur le levier de verrouillage du coupleur à bille de 2 in et abaissez le sol ou le support de vérin. Ensuite, débranchez les chaînes de sécurité.

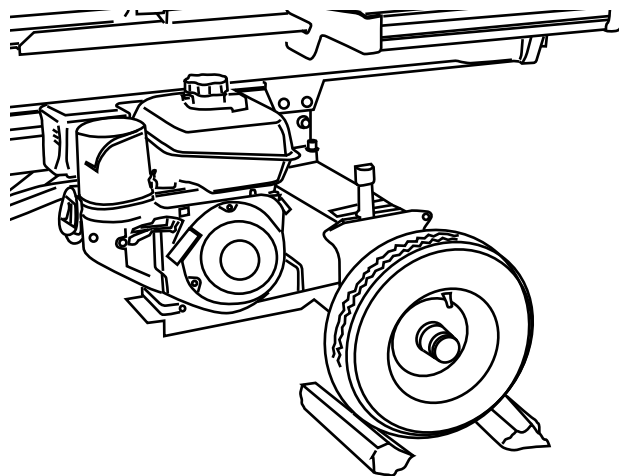


Vérifiez les niveaux d'huile moteur et d'huile hydraulique pour vérifier qu'ils sont dans la bonne plage de fonctionnement.

Vérifiez le moteur pour vous assurer qu'il a suffisamment de carburant. Pour des renseignements supplémentaires concernant l'huile moteur et les instructions de démarrage du moteur, veuillez consulter le manuel du propriétaire du moteur.

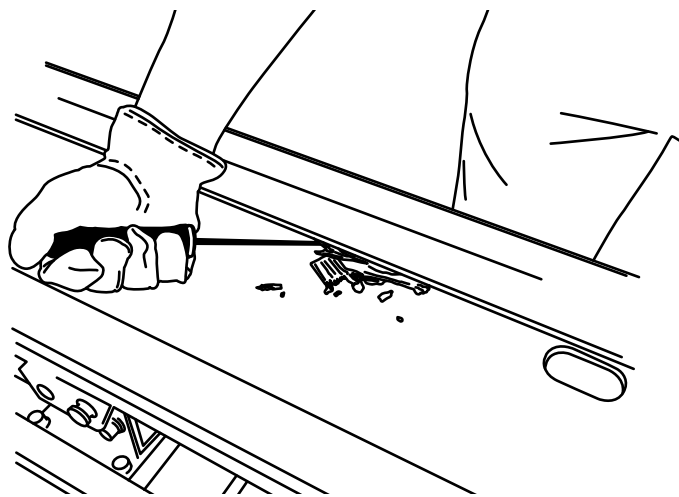


Bloquez les roues en plaçant des cales de chaque côté de la roue pour que la fendeuse de bûches reste stable pendant son utilisation.



Vérifiez que les raccords de tuyaux, les écrous et les boulons et autres éléments de fixation ne sont pas desserrés avant l'utilisation.

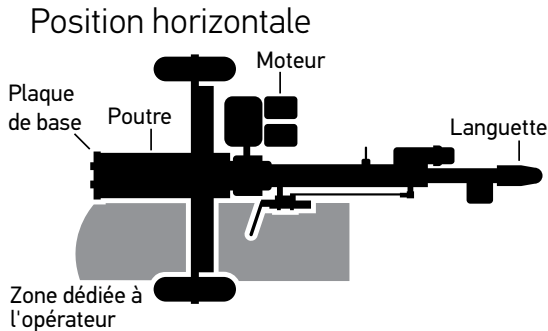
Assurez-vous que les rails de la poutre et les fentes de débris sont exempts de copeaux de bois et de débris. Ceux-ci doivent être nettoyés si nécessaire pendant l'opération de fractionnement.



AVERTISSEMENT : consultez les renseignements relatifs à la sécurité générale, à la zone de travail, à la préparation des bûches et au fonctionnement de la fendeuse de bûches aux pages 43 et 44 de ce manuel. Assurez-vous que vous disposez de l'équipement de protection individuelle recommandé décrit précédemment.

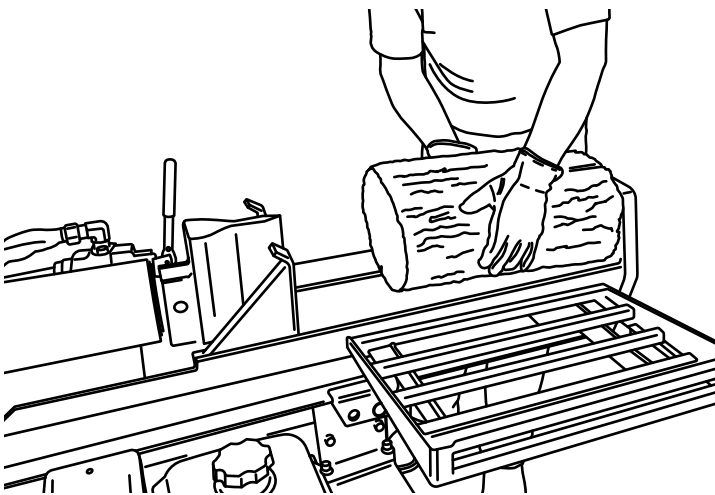
! **MISE EN GARDE :** pour l'utilisation dans les zones boisées, procurez-vous un pare-étincelles pour le système d'échappement, consultez le manuel d'utilisation et d'entretien du moteur et consultez votre centre de service autorisé. Consultez la section Prévention des incendies à la page 46 de ce manuel.

Fonctionnement de la fendeuse de bûches — Position horizontale



Lorsque vous portez l'EPI approprié et que le moteur a démarré, sélectionnez votre première bûche à fendre, qui ne doit pas dépasser 100 lbs.

Placez la bûche coupée en carré sur les rails de la poutre et faites-la glisser vers la plaque de base.

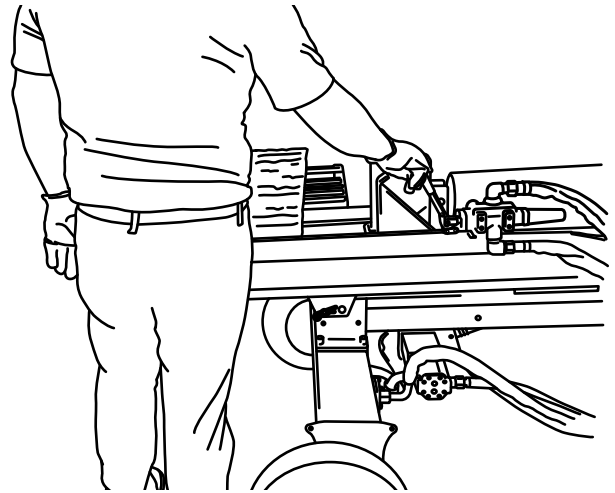


Ne placez jamais les mains entre la bûche et le coin de fendage lorsque vous placez la bûche sur les rails de la poutre. Manipulez toujours la bûche par les côtés et non par les extrémités.

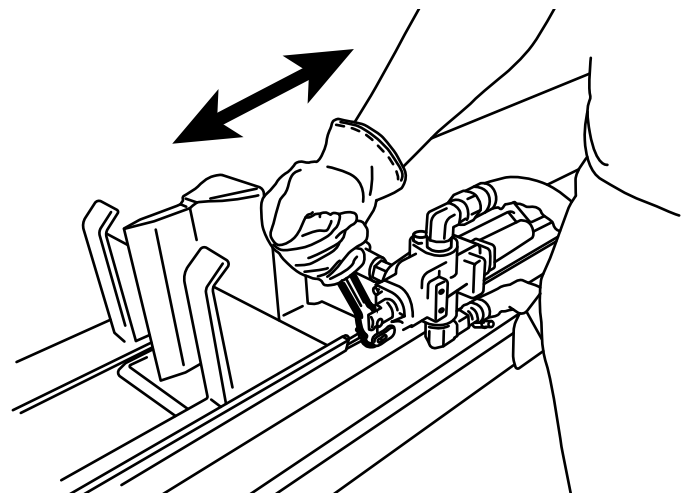
Fendez toujours le bois dans le sens du grain, et non à contre-fil.

Ne fendez jamais plus d'une bûche à la fois.

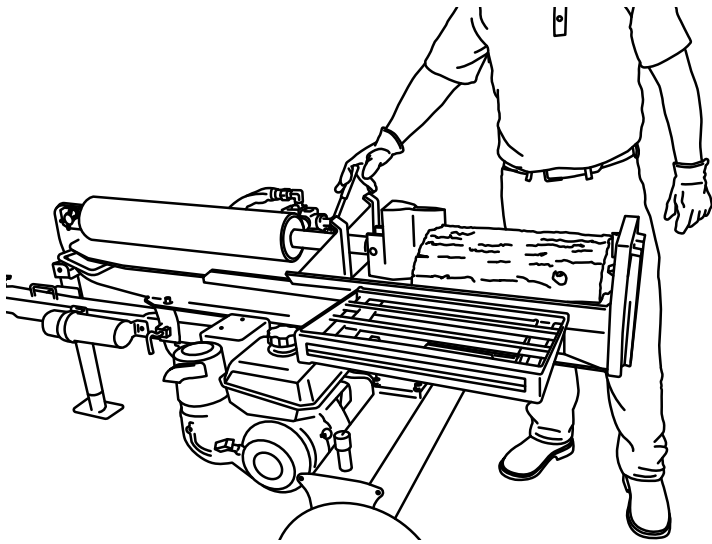
Avant d'engager l'actionneur, vérifiez que vous vous tenez au bon endroit. Consultez le schéma.



Une fois que la bûche est dans la bonne position, placez une main sur le levier de commande de la vanne et déplacez-le vers la plaque de base. Cela enclenchera le système hydraulique et poussera le coin à travers la bûche. Appliquez une pression constante sur le levier, jusqu'à ce que la cale fende complètement le bois et que le cylindre ait entièrement traversé les rails de la poutre, puis tirez sur le levier pour rétracter la cale. Une fois le cran enclenché, le levier se verrouille en position rétractée jusqu'à ce qu'il retourne automatiquement à sa position de départ.



Ne placez PAS l'autre main sur la bûche pendant que la cale se déplace vers la plaque de base. Ne touchez JAMAIS la bûche lorsque l'hydraulique est enclenchée.



Si la bûche ne se fend pas complètement une fois que le coin s'est entièrement déplacé sur les rails de la poutre, rétractez le coin en tirant sur la poignée comme décrit ci-dessus et laissez les plaques de dévêtissage tenir la bûche pendant que le coin se rétracte. Cela permettra de libérer la bûche coincée de la cale.

- Gardez **TOUJOURS** les mains éloignées de la bûche et des plaques de dévêtissage pendant que le coin se rétracte.



- Gardez **TOUJOURS** la zone de travail propre et exempte de bois fendu et de débris pour éviter les risques de trébuchement. Souvenez-vous que les rails de la poutre et les fentes de débris sont exempts de copeaux de bois et de débris.

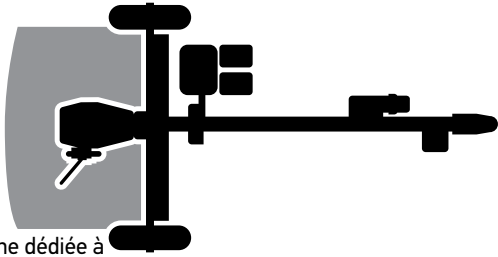
Pour les bûches de plus de 100 pounds, nous recommandons de placer la fendeuse de bûches en position verticale.

AVIS : le fait de maintenir la soupape en position « avant » en fin de course peut endommager la pompe.

AVIS : pour prolonger la durée de vie du vérin hydraulique, évitez de « descendre » la plaque de coin vers la plaque de pied. Pour se conformer aux recommandations de sécurité du secteur, la cale s'arrête à un minimum de 1 in de la plaque de base.

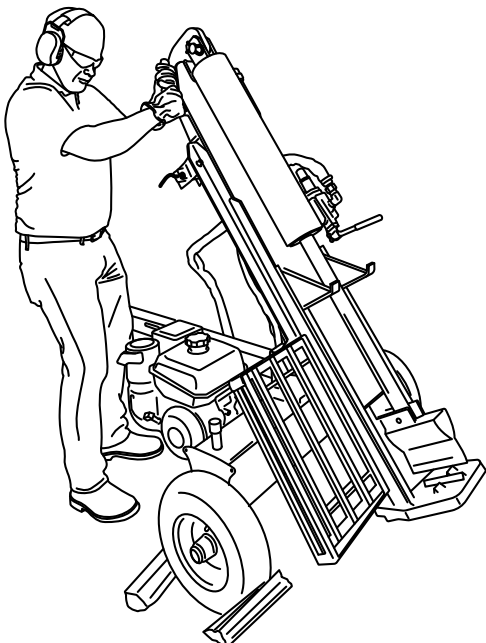
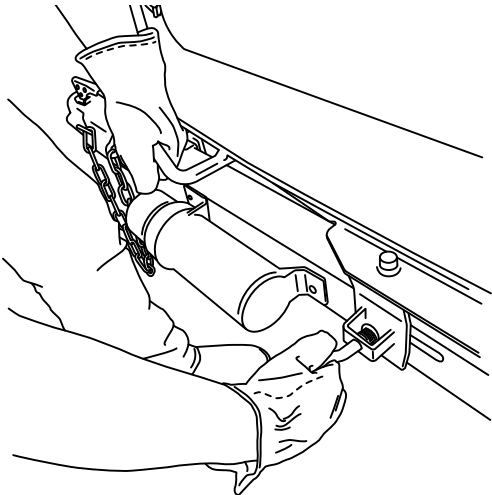
Fonctionnement de la fendeuse de bûches — Position verticale

Position verticale



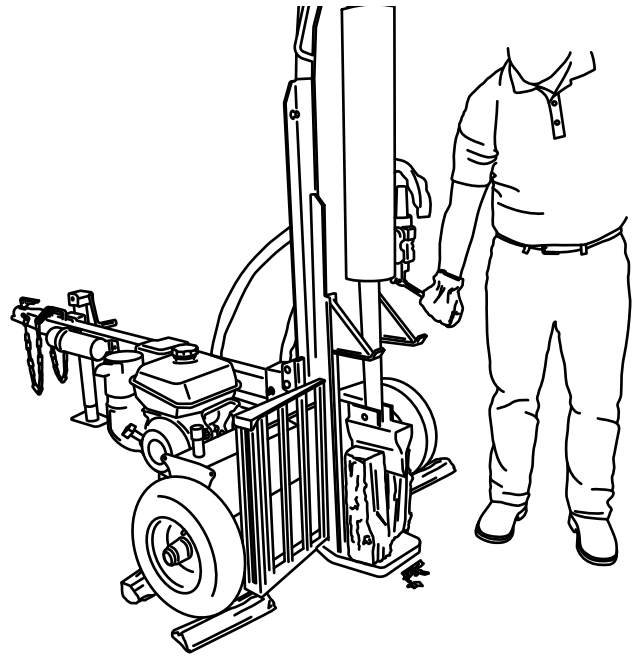
Zone dédiée à l'opérateur

Pour cela, tirez sur la goupille de verrouillage de la poutre et redressez-la lentement jusqu'à ce que la plaque de base soit fermement engagée sur le sol et que la fendeuse de bûches soit stable.



Une fois la poutre en position verticale, engagez le verrou vertical de la poutre situé sur le côté droit de la languette et du support de la poutre.

Sélectionnez une bûche et faites-la rouler jusqu'à la fendeuse, puis placez-la sur la plaque de base, contre la poutre. Pour les grosses bûches, placez un bloc de bois ou une cale sous la bûche pour la maintenir fermement contre la poutre.



Une fois la bûche fixée, placez-vous dans la zone de l'opérateur indiquée et engagez la poignée de la vanne vers la plaque de base.

AVIS : le fait de maintenir la soupape en position « avant » en fin de course peut endommager la pompe.

AVIS : pour prolonger la durée de vie du vérin hydraulique, évitez de « descendre » la plaque de coin vers la plaque de pied. Pour se conformer aux recommandations de sécurité du secteur, la cale s'arrête à un minimum de 1 in de la plaque de base.

Remorquage



MISE EN GARDE : consultez les renseignements de sécurité du remorquage à la page 42 de ce manuel.

Cette fendeuse de bûches est équipée de pneus, d'un coupleur de classe 1 (bille de 2 in de diamètre requise) et de chaînes de sécurité. Avant le remorquage, les chaînes de sécurité doivent être fixées à l'attelage ou au pare-chocs du véhicule. Il convient de vérifier les réglementations locales en matière de permis, d'éclairage, de remorquage, etc. Avant le remorquage, mettez la vanne d'arrêt du carburant du moteur en position « OFF ». Le non-respect de cette règle peut noyer le moteur. Ne dépassez pas la vitesse de 45 mph lorsque vous remorquez la fendeuse de bûches. Consultez Sécurité du remorquage à la page 42 de ce manuel.

Entretien

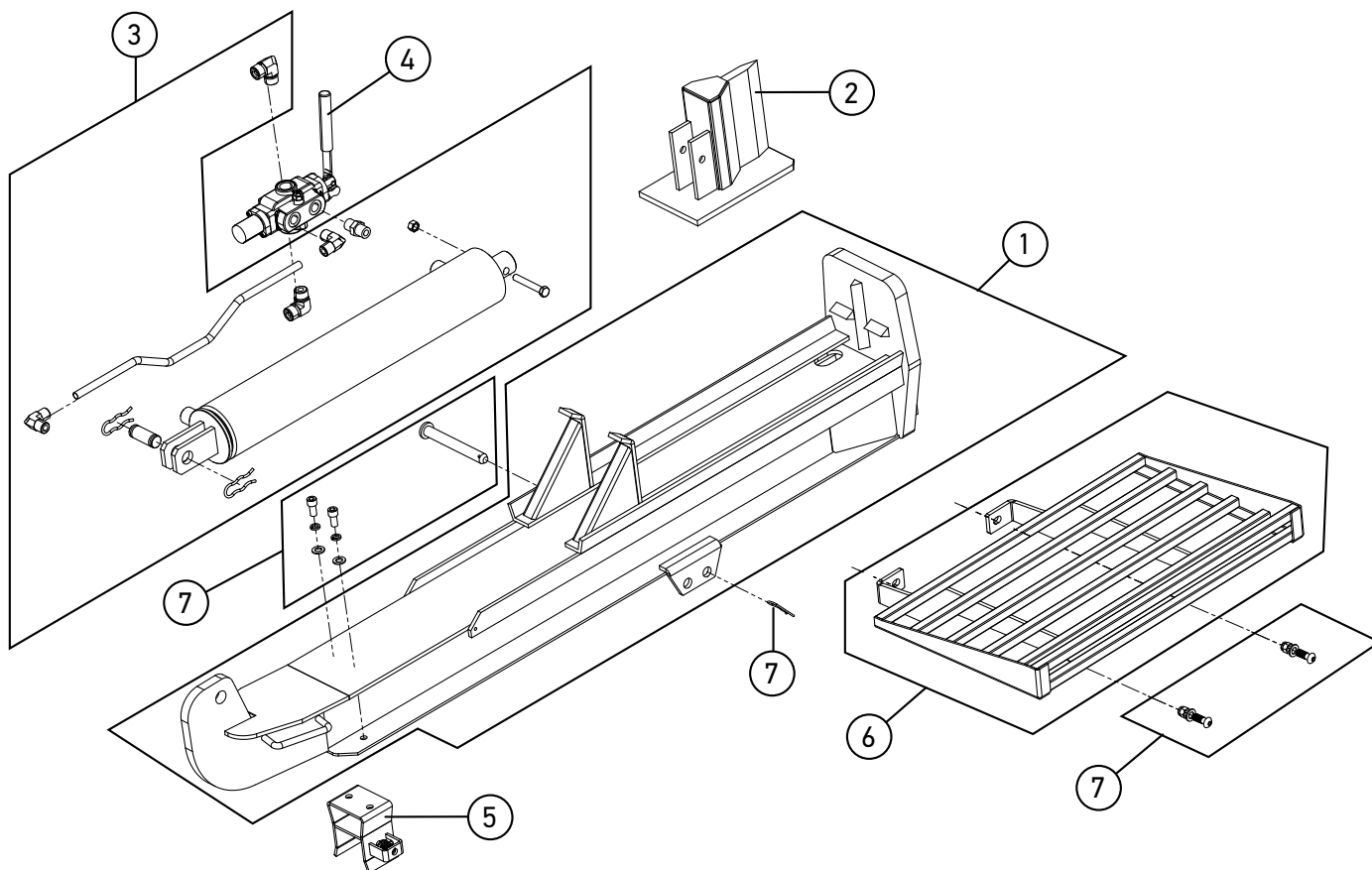


MISE EN GARDE : consultez les informations de sécurité relatives à la réparation générale à la page 45 et à la sécurité hydraulique à la page 46.

1. Consultez les instructions d'utilisation et d'entretien du fabricant du moteur pour l'entretien et la maintenance du moteur.
2. Vérifiez toujours le niveau d'huile du réservoir hydraulique avant de l'utiliser. L'utilisation de la fendeuse de bûches sans une alimentation en huile suffisante endommagera gravement la pompe.
3. Changez le filtre à huile hydraulique après les 25 premières heures de fonctionnement. Par la suite, changez le filtre à huile toutes les 100 heures ou de façon saisonnière, selon la première éventualité. Le numéro de référence du kit filtre est 622528.
4. Pour vidanger l'huile hydraulique, retirez la vis de vidange située au fond du réservoir.
5. Si la cale est émoussée ou entaillée, elle peut être retirée et aiguisée.
6. Nettoyez le capuchon du reniflard après 25 heures de fonctionnement. Nettoyez-le plus souvent lorsqu'il est utilisé dans des conditions poussiéreuses.
7. Consultez également Réparations générales et Sécurité hydraulique à la page 45 de ce manuel.
8. Toutes les pièces de rechange doivent être conformes aux spécifications du fabricant.

Pièces de rechange

Ensemble de la poutre



25T

Article	N° de kit	Description
1	622519	Beam 25T, avec autocollants Oregon
2	622524	Cale de 8 in, 25T
3	622906	Kit cylindre 4 in avec autocollants
4	622608	Valve, 4100 PSI
5	622520	Verrou de poutre
6	622576	Support de bûche
7	622492	Kit matériel
non montré	623308	Kit de joint de cylindre 4 in

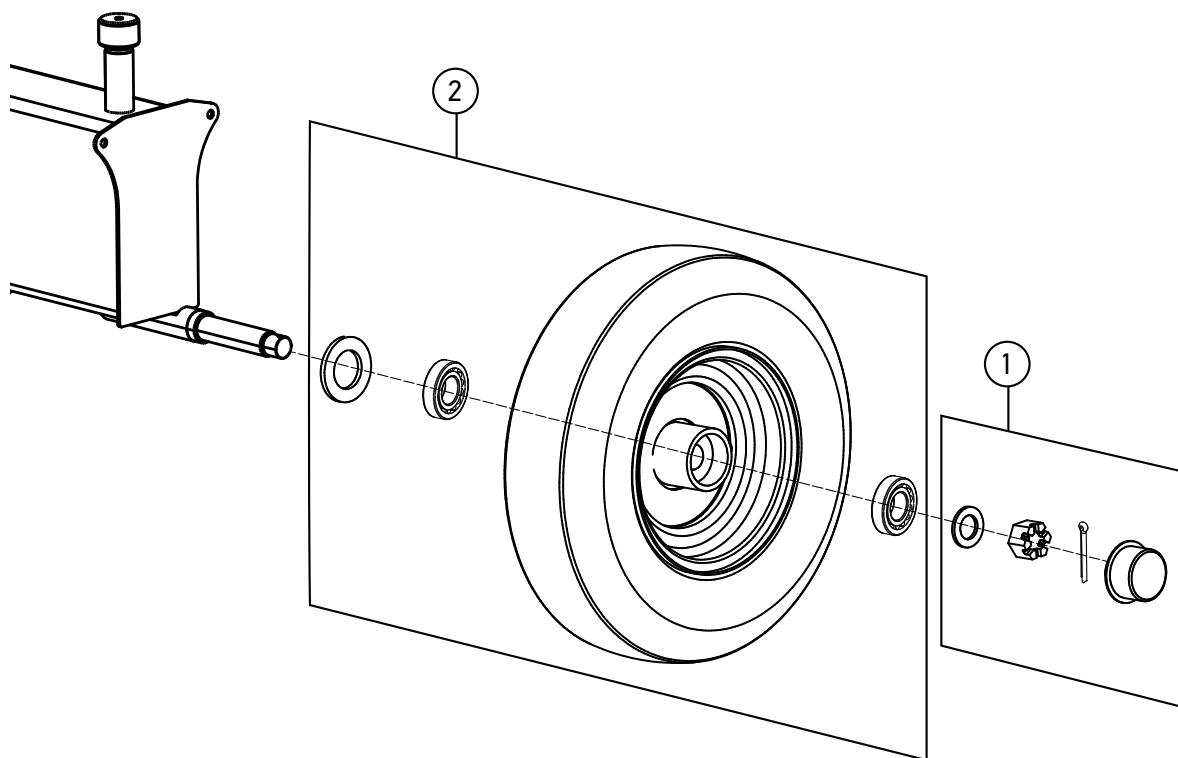
30T

Article	N° de kit	Description
1	622543	Beam 30T, avec autocollants Oregon
2	624190	Cale de 8 in, 30T
3	622522	Kit cylindre 4.5 in avec autocollants
4	622546	Valve, 4000 PSI
5	622520	Verrou de poutre
6	622576	Support de bûche
7	622492	Kit matériel
non montré	623309	Kit de joint de cylindre 4.5 in

35T

Article	N° de kit	Description
1	622554	Beam 35T, avec autocollants Oregon
2	624191	Cale de 8 in, 35T
3	622545	Kit cylindre 5 in avec autocollants
4	622523	Valve, 3668 PSI
5	622520	Verrou de poutre
6	622576	Support de bûche
7	622549	Kit matériel
non montré	623310	Kit de joint de cylindre 5 in

Ensemble de roue



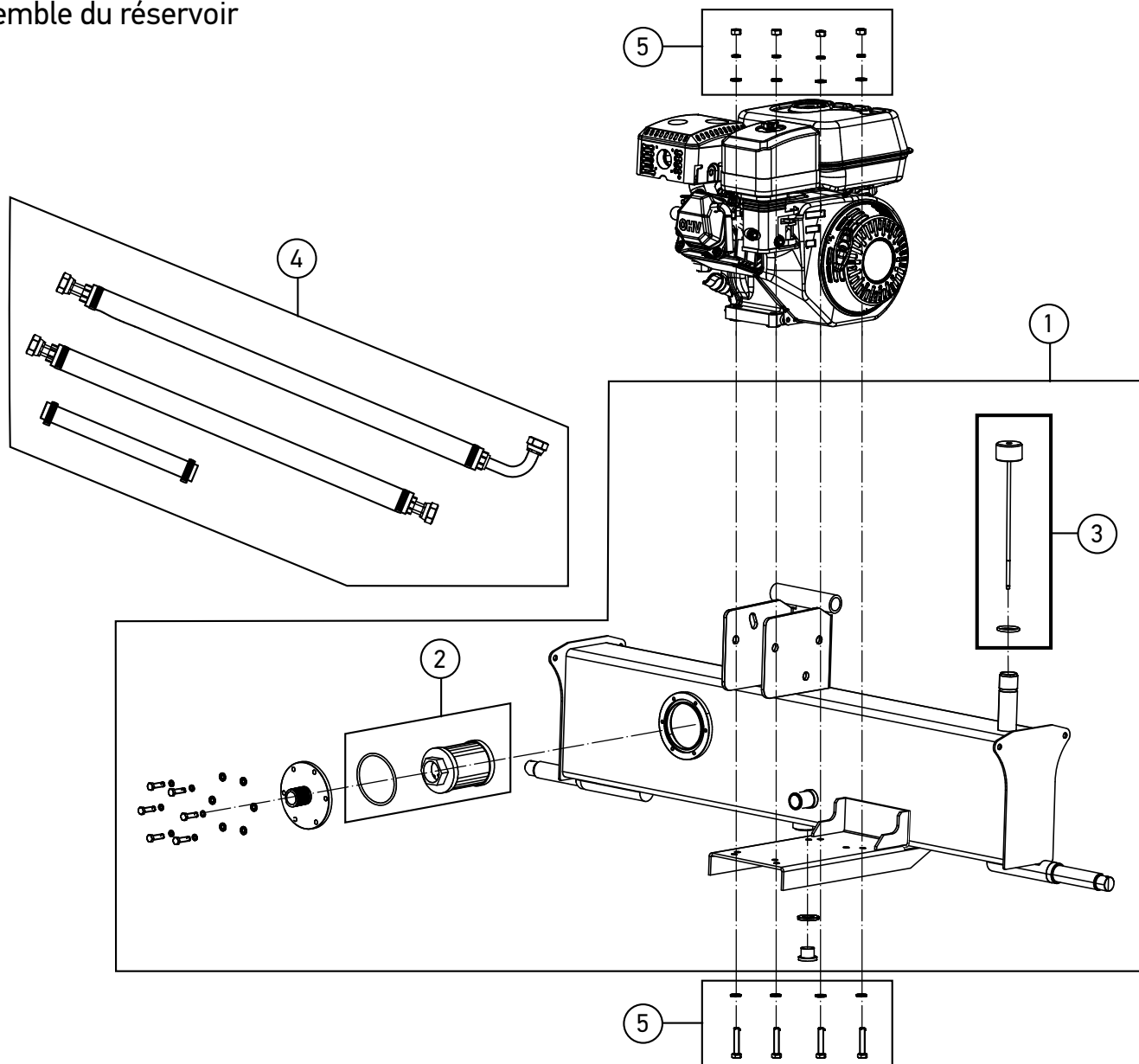
25T et 30T

Article	N° de kit	Description
1	622492	Kit de matériel, support
2	S400312B0	Ensemble de roue 4.8 in X 8 in

35T

Article	N° de kit	Description
1	622549	Kit de matériel, support
2	S400312B0	Ensemble de roue 4.8 in X 8 in

Ensemble du réservoir



25T

30T

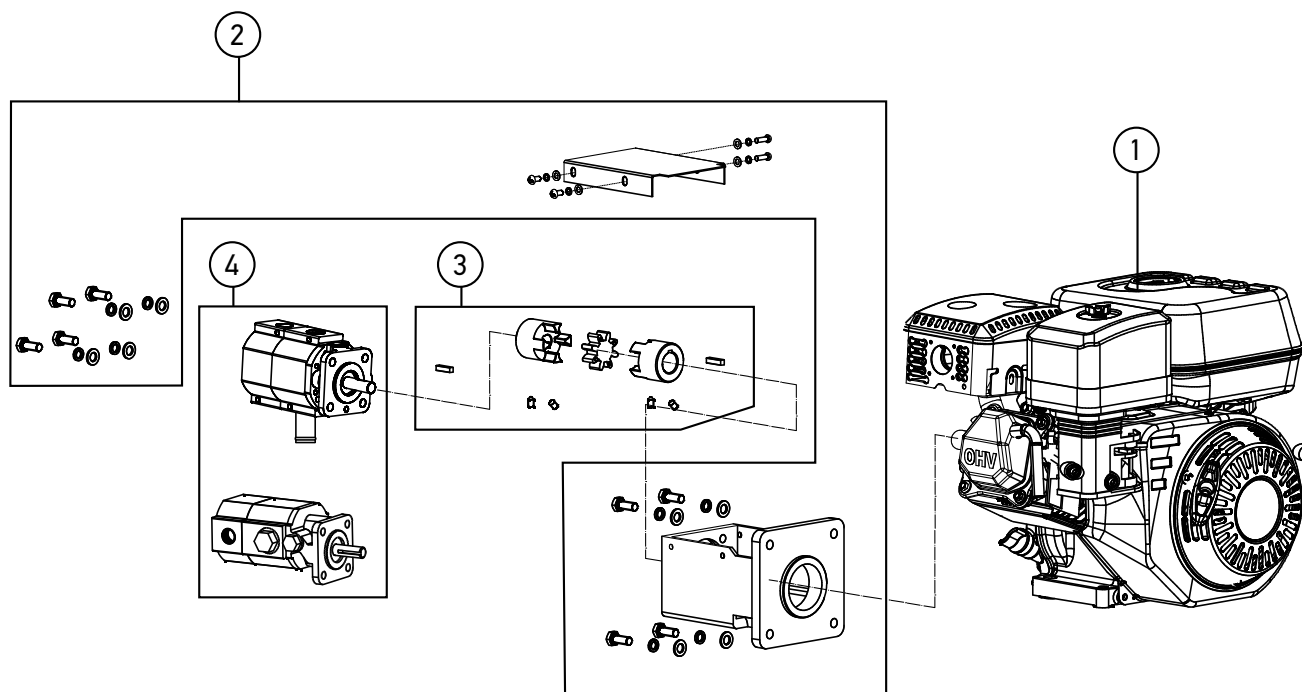
35T

Article	N° de kit	Description
1	622526	Ensemble du réservoir, 25T
2	622528	Kit d'ensemble du filtre
3	622529	Ensemble du capuchon d'évent
4	622497	Kit de tuyau, support
5	622492	Kit de matériel, 25T et 30T

Article	N° de kit	Description
1	622622	Ensemble du réservoir, 30T
2	622528	Kit d'ensemble du filtre
3	622529	Ensemble du capuchon d'évent
4	622497	Kit de tuyau, support
5	622492	Kit de matériel, 25T et 30T

Article	N° de kit	Description
1	622626	Ensemble du réservoir, 35T
2	622528	Kit d'ensemble du filtre
3	622529	Ensemble du capuchon d'évent
4	622497	Kit de tuyau, support
5	622549	Kit de matériel, 35T

Ensemble du moteur



25T

Article	N° de kit	Description
1	623641	Moteur, Briggs CR950
2	622535	Kit d'ensemble du support de pompe SM
3	622493	Kit Briggs CR950 CPLR
4	622536	Pompe 2 phases 14 gallons par minute

30T

Article	N° de kit	Description
1	622564	Moteur, BRIGGS XR1150
2	622535	Kit d'ensemble du support de pompe SM
3	622538	Kit BRIGGS XR1150 CPLR
4	622536	Pompe 2 phases 14 gallons par minute

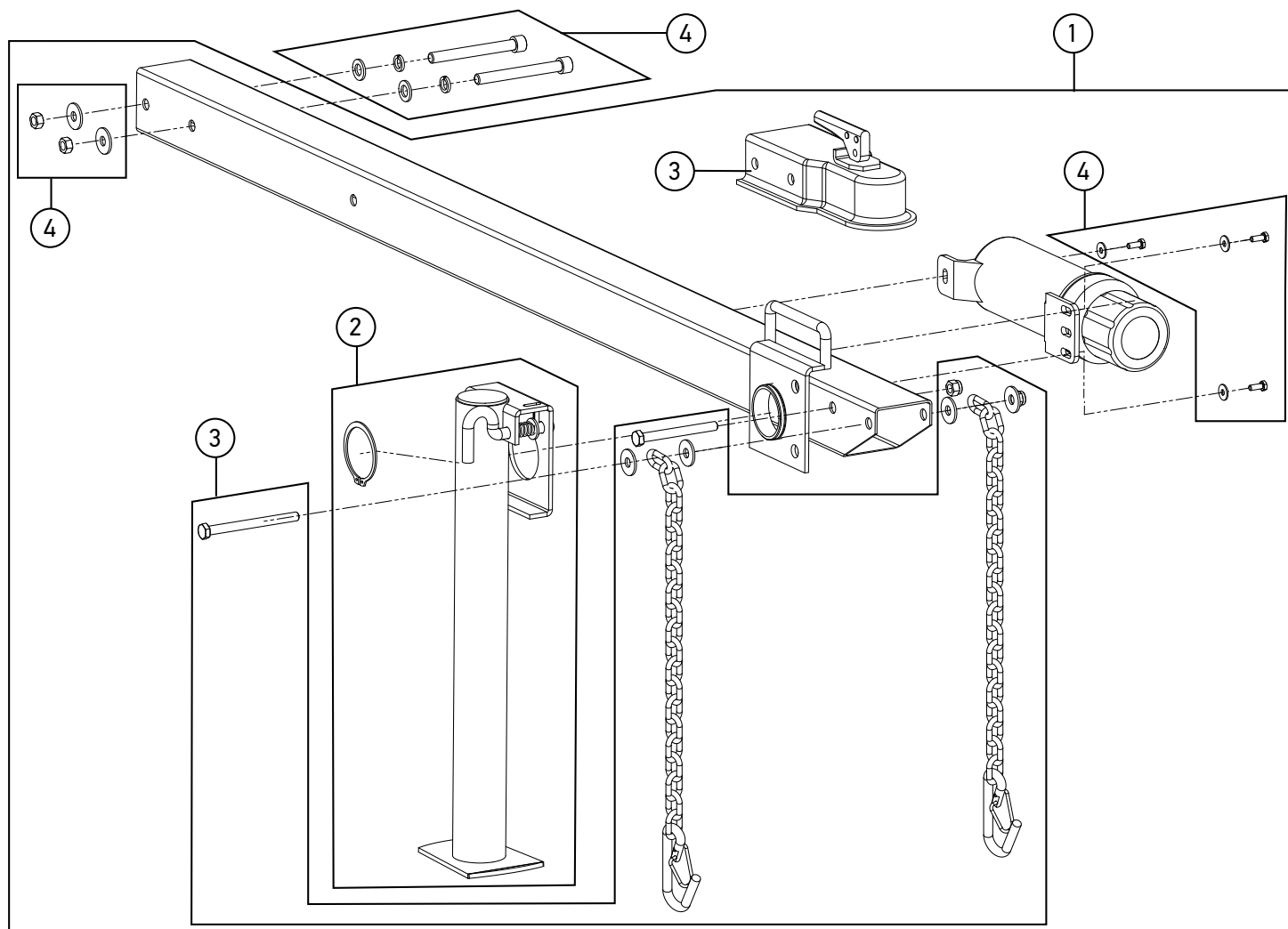
35T avec Briggs XR1450

Article	N° de kit	Description
1	S39054500	Moteur, Briggs XR1450
2	625330	Kit d'ensemble du support de pompe MD
3	622550	Kit Briggs XR1450 CPLR
4	622548	Pompe 2 phases, 17 gallons par minute

35T avec Honda GX270

Article	N° de kit	Description
1	S39053100	Moteur, Honda GX270
2	623939	Kit d'ensemble du support de pompe LG
3	623659	Kit Honda GX270 CPLR
4	622548	Pompe 2 phases, 17 gallons par minute

Ensemble de languette



25T et 30T

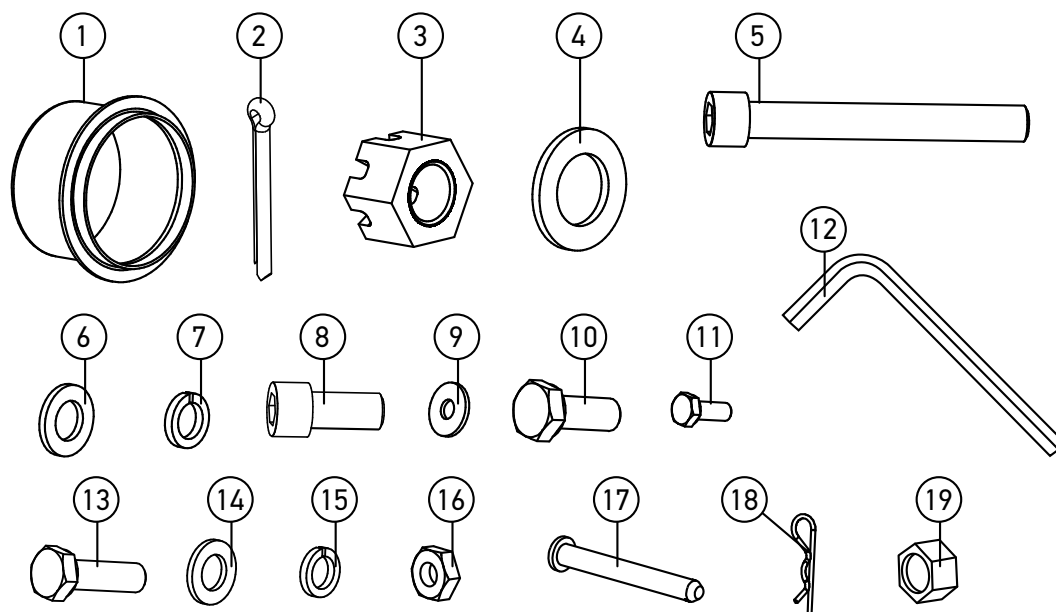
Article	N° de kit	Description
1	622530	Kit de support de retenue pour l'ensemble de languette
2	622533	Kit de support de retenue
3	622532	Kit d'attelage à billes 2 in avec chaînes
4	622492	Kit de matériel, 25T et 30T

35T

Article	N° de kit	Description
1	622575	Kit de support de vérin pour l'ensemble de languette
2	622578	Kit de support de vérin
3	622532	Kit d'attelage à billes 2 in avec chaînes
4	622549	Kit de matériel, 35T

622492 Kit de matériel pour 25T et 30T

622549 Kit de matériel pour 35T



Article	Description	Quantité
1	Capuchon anti-poussière	2
2	Goupille fendue 4 x 50	2
3	Écrou dégagé à créneaux M22	2
4	Rondelle plate M22	2
5	Vis à tête creuse M12 x 110 mm	2
6	Rondelle plate M12	8
7	Rondelle de blocage M12	6
8	Vis à tête creuse M12 x 25 mm	2
9	Rondelle plate M6	3
10	Boulon M12 x 35 mm	2
11	Vis à tête hexagonale M6 x 20 mm	3
12	Clé hexagonale	1
17	Goupille	1
18	Agrafe de type R	1
19	Écrou M12	2

25T et 30T

Article	Description	Quantité
13	Boulon M8 x 40 mm	4
14	Rondelle plate M8	8
15	Rondelle de blocage M8	4
16	Écrou M8	4

35T

Article	Description	Quantité
13	Boulon M10 x 45 mm	4
14	Rondelle plate M10	8
15	Rondelle de blocage M10	4
16	Écrou M10	4

Garantie limitée

Cette fendeuse de bûches est garantie contre tout défaut matériel et de fabrication pendant la durée de vie normale du produit, qui ne doit pas dépasser 24 mois consécutifs à compter de la date d'achat.

- Le cylindre, la soupape, la pompe et les autres composants hydrauliques sont garantis pendant deux (2) ans à compter de la date d'achat.
- Cette garantie ne couvre pas/ne s'étend pas au moteur. Le moteur est couvert par une garantie distincte du fabricant jointe au manuel du propriétaire.
- Oregon réparera ou remplacera gratuitement toute pièce de la fendeuse de bûches jugée défectueuse en termes de matériel ou de fabrication pendant la période de garantie limitée mentionnée ci-dessus.

La garantie limitée ne couvre pas les pièces qui, selon le jugement du fabricant, ont été soumises à une utilisation négligente, à une mauvaise utilisation, à une modification, à un accident, à un démontage quelconque ou si des réparations ont été effectuées par quiconque, à l'exception d'un centre de service agréé de l'Oregon. Les demandes de garantie doivent inclure le numéro d'identification de la fendeuse de bûches et être soumises dans les trente jours suivant la date de défaillance. Les pièces défectueuses doivent être renvoyées par l'intermédiaire d'un revendeur agréé d'Oregon et les frais de transport jusqu'à l'usine doivent être prépayés. Vous pouvez vous inscrire en ligne sur OregonProducts.com.

EXCLUSION D'AUTRES GARANTIES : CETTE GARANTIE LIMITÉE EST LA SEULE GARANTIE DE CE PRODUIT. OREGON N'OFFRE AUCUNE AUTRE GARANTIE, EXPRESSE OU IMPLICITE, Y COMPRIS TOUTE GARANTIE IMPLICITE DE COMMERCIALISATION OU D'ADÉQUATION À UN USAGE PARTICULIER, CONCERNANT CE PRODUIT. TOUTES CES GARANTIES SONT EXPRESSÉMENT REFUSÉES.

LIMITATIONS DE RESPONSABILITÉ : LE FABRICANT N'ASSUME AUCUNE RESPONSABILITÉ POUR LES DOMMAGES ACCESSOIRES, CONSÉCUTIFS OU PUNITIFS LIÉS À L'UTILISATION DE CE PRODUIT, Y COMPRIS, MAIS SANS S'Y LIMITER, LA RESPONSABILITÉ POUR LES BLESSURES, LA PERTE DE LA VIE, LES DOMMAGES MATÉRIELS, LA PERTE D'UTILISATION, LA PERTE DE TEMPS, LES INCONVÉNIENTS OU LES PERTES COMMERCIALES. TOUTE RESPONSABILITÉ DE CE TYPE EST EXPRESSÉMENT EXCLUE. CES LIMITATIONS DE RESPONSABILITÉ S'APPLIQUENT À TOUTES CES RÉCLAMATIONS. EN AUCUN CAS OREGON NE SERA RESPONSABLE D'UN MONTANT SUPÉRIEUR AU PRIX D'ACHAT DE CE PRODUIT.

Mensajes y símbolos de seguridad

⚠ ADVERTENCIA: Revise y comprenda completamente todas las instrucciones de este manual y de las calcomanías de seguridad antes de ensamblar o utilizar esta cortadora de troncos. Si no lo hace, se pueden provocar lesiones graves o, incluso, la muerte. No permita que nadie que no haya leído este manual utilice esta cortadora de troncos. Como todo equipo de energía, una cortadora de troncos puede ser peligrosa si se ensambla o se usa de forma inadecuada. No utilice esta cortadora de troncos si tiene alguna duda sobre su funcionamiento seguro. Si tiene dudas, llame a nuestro departamento de Soporte Técnico al 1-800-525-8322.

Explicación de los niveles de advertencia

En esta sección se incluye información de seguridad para las cortadoras de tronco Oregon. En este manual se incluyen ADVERTENCIAS, PRECAUCIONES y NOTAS que corresponden al funcionamiento seguro de la máquina.

⚠ Este es un símbolo de alerta de seguridad. Se utiliza para alertarlo de los posibles riesgos de lesiones físicas. Obedezca todos los mensajes de seguridad que siguen a este símbolo para evitar posibles lesiones o la muerte.



PELIGRO

Indica una amenaza con un alto nivel de riesgo que, si no se evita, causará la muerte o una lesión grave.



ADVERTENCIA

Indica una amenaza con un nivel de riesgo medio que, si no se evita, podría causar la muerte o una lesión grave.



PRECAUCIÓN

Indica una amenaza con un nivel de riesgo bajo que, si no se evita, podría causar lesiones leves o moderadas.

AVISO

Indica que existe una situación potencial que, si no se evita, podría causar daños a la cortadora o a la propiedad.

Ubicación de la etiqueta del número de serie: Placa del tanque debajo de la viga



Registre la información que figura a continuación para su futura referencia.

N.º de modelo _____

Fecha de compra _____

N.º de serie _____

Lugar de compra _____

Índice

Mensajes y símbolos de seguridad	74	Instrucciones de funcionamiento	96
Explicación de los niveles de advertencia	74	Recomendaciones sobre el aceite hidráulico	96
Especificaciones	76	Recomendaciones sobre el aceite de motor	96
Introducción.	77	Funcionamiento de la cortadora de troncos	96
Información de seguridad	78	Configuración de la cortadora de troncos	97
Seguridad de remolque	78	Funcionamiento de la cortadora de troncos en posición horizontal	98
Uso previsto	79	Funcionamiento de la cortadora de troncos en posición vertical	100
Equipo de protección personal	79	Remolque	101
Seguridad general	79	Mantenimiento	101
Área de trabajo	80	Repuestos.	102
Preparación del tronco.	80	Ensamblaje de la viga	102
Funcionamiento de la cortadora de troncos	80	Ensamblaje de la rueda	103
Reparación general.	81	Ensamblaje del tanque.	104
Seguridad hidráulica	82	Ensamblaje del motor	105
Prevención de incendios	82	Ensamblaje de la lengua.	106
Parachispas	82	Kit 622492 de accesorios para 25T y 30T	
Calcomanías de seguridad	84	Kit 622549 de accesorios para 35T.	107
Instrucciones de ensamblaje	88	Garantía limitada	108

Especificaciones

N.º de modelo	OR25TBS-1	OR30TBS-1	OR35TBS-1	OR35THO-1
Motor	Briggs & Stratton CR950 208 cm ³	Briggs & Stratton XR1150 250 cm ³	Briggs & Stratton XR1450 360 cm ³	Honda GX270 270 cm ³
Máxima fuerza de corte*	25 toneladas	30 toneladas	35 toneladas	35 toneladas
Tiempo de ciclo*	11.2 segundos	12.9 segundos	12.7 segundos	12.7 segundos
Bomba	2 etapas de 14 GPM	2 etapas de 14 GPM	2 etapas de 17 GPM	2 etapas de 17 GPM
Cilindro	4 in x 24 in con una varilla de 1.75 in de diámetro interior	4.5 in x 24 in con una varilla de 1.75 in de diámetro interior	5 in x 24 in con una varilla de 2 in de diámetro interior	5 in x 24 in con una varilla de 2 in de diámetro interior
Válvula	4100 PSI	4161 PSI	3688 PSI	3688 PSI
Longitud máxima del tronco	25.5 in	25.5 in	25.5 in	25.5 in
Ruedas	4.5 in x 16 in de diámetro	4.5 in x 16 in de diámetro	4.5 in x 16 in de diámetro	4.5 in x 16 in de diámetro
Altura de la cuña	Cuña de 8 in de altura	Cuña de 8 in de altura	Cuña de 8 in de altura	Cuña de 8 in de altura
Capacidad hidráulica	4.5 galones	6 galones	6.6 galones	6.6 galones
Filtro	Filtro en el tanque	Filtro en el tanque	Filtro en el tanque	Filtro en el tanque
Altura -- Vertical	71 in	71 in	71 in	71 in
-- Horizontal	30.5 in	30.5 in	30.5 in	30.5 in
Ancho	48.4 in	48.4 in	48.4 in	48.4 in
Peso del envío	459 lbs	500 lbs	575 lbs	575 lbs

* El tonelaje y los tiempos de los ciclos pueden variar según las condiciones mecánicas y ambientales.

Introducción

El propósito de este manual es ayudarlo a utilizar y mantener la cortadora de troncos. Léalo con atención. Proporciona información e instrucciones para que la cortadora prolongar el rendimiento confiable. Es posible que cierta información sea de carácter general debido a que se desconocen y varían las condiciones de funcionamiento. Sin embargo, gracias a los conocimientos y a estas instrucciones, debería poder desarrollar procedimientos adecuados a su situación particular.

Las imágenes y los datos que se utilizan en este manual estaban actualizados en el momento de su impresión pero, debido a posibles cambios en la producción en línea, los detalles de su máquina pueden variar levemente. Nos reservamos el derecho de volver a diseñar y cambiar las máquinas según sea necesario sin previo aviso.

En este manual, se hacen referencias a la dirección derecha e izquierda. Para determinarlas, debe ponerse de pie detrás del equipo y mirar hacia la dirección del desplazamiento hacia adelante.

Información de seguridad

Seguridad de remolque

PELIGRO

- NUNCA permita que nadie se siente ni se monte en la cortadora de troncos.

ADVERTENCIA

- NUNCA mueva la cortadora de troncos sobre terreno montañoso o desigual sin un vehículo de remolque u otro vehículo adecuado de ayuda.
- NUNCA lleve cargas o maderas en la cortadora de troncos.
- NUNCA supere las 45 mph al remolcar la cortadora de troncos. Si remolca la cortadora de troncos a velocidades superiores a 45 mph, se puede perder el control, provocar lesiones graves o la muerte o dañar el equipo. Ajuste la velocidad de remolque según el terreno y las condiciones. Tenga especial precaución al remolcar sobre terreno montañoso, especialmente cruces de ferrocarril, y evite los giros bruscos y los ángulos pronunciados al remolcar la cortadora de troncos.
- NUNCA supere la capacidad de peso de la bola o los límites de carga del acoplador.
- SIEMPRE confirme la tensión del acoplador antes de remolcar y después de remolcar 50 millas.
- SIEMPRE desconecte la cortadora de troncos del vehículo de remolque antes de utilizarlo.
- SIEMPRE use cadenas de seguridad cuando remolque la cortadora de troncos.
- SIEMPRE verifique todos los reglamentos locales y estatales en cuanto a remolque, licencias y luces antes de remolcar la cortadora de troncos.
- Antes de remolcar, SIEMPRE verifique que la cortadora de troncos se fije de manera correcta y segura al vehículo de remolque y que las cadenas se sujeten al enganche o al parachoques del vehículo con suficiente holgura para girar.
- SIEMPRE use una bola de clase 1, 2 in con esta cortadora de troncos.
- SIEMPRE sustituya la bola o el acoplador si están dañados o muy desgastados.

PRECAUCIÓN

- SIEMPRE tenga cuidado al retroceder con la cortadora de troncos en el remolque. Puede funcionar como una navaja.
- SIEMPRE permita que la cortadora de troncos tenga una mayor longitud para girar, estacionar, cruzar intersecciones y realizar todas las maniobras de conducción.

AVISO

- SIEMPRE que sea factible, gire la válvula de corte de combustible del motor a la posición "APAGADO" antes de remolcar la cortadora de troncos. De lo contrario, el motor puede inundarse.
- SIEMPRE eleve los soportes de apoyo y fije la viga hacia adelante y hacia abajo para transportarla.

Uso previsto

PELIGRO

- NUNCA use esta cortadora de troncos para ningún otro propósito que no sea el de cortar leña. Se concibió únicamente para esto. Si la utiliza de otra manera, se pueden provocar lesiones graves o, incluso, la muerte.

Equipo de protección personal



ADVERTENCIA

- ANTES de utilizar esta cortadora de troncos, asegúrese de ponerse el equipo de seguridad, como gafas o lentes de seguridad, zapatos con punta de acero y guantes ajustados (sin puños ni cordones sueltos). Lleve siempre un dispositivo de protección auditiva al utilizar esta cortadora de troncos.

Seguridad general

PELIGRO

- NUNCA permita que los niños o las personas que no tengan las instrucciones y la comprensión adecuadas utilicen esta cortadora de troncos.
- NUNCA use ropa suelta o joyas que puedan quedar atascadas en las piezas móviles de la cortadora de troncos. Aleje la ropa y el cabello de todas las piezas móviles al utilizar esta cortadora de troncos.

ADVERTENCIA

- SIEMPRE mantenga el manual del operador en el tubo de almacenamiento como referencia. Vuelva a leer el manual cada tanto.
- SIEMPRE mantenga a todos los transeúntes y mascotas a un mínimo de 10 pies de distancia de su área de trabajo cuando utilice esta cortadora de troncos. Solo el operador debe estar cerca de la cortadora de troncos cuando se utilice.
- NUNCA active la unidad de control hasta que las personas salgan del área de trabajo.
- NUNCA utilice la cortadora de troncos cuando esté bajo los efectos de alcohol, drogas o medicamentos, o cuando no esté lo suficientemente atento para utilizar máquinas peligrosas.

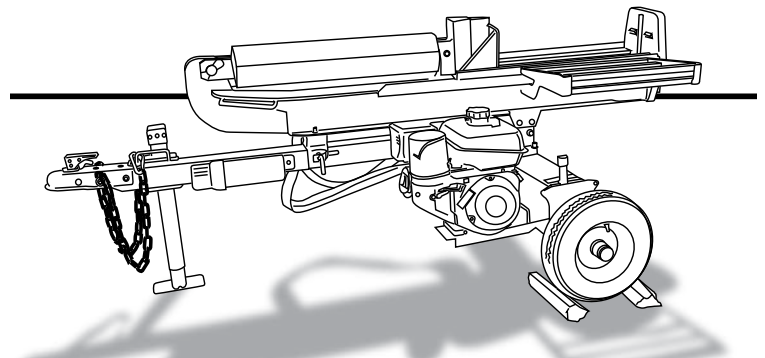
Área de trabajo

PELIGRO

- NUNCA utilice la cortadora de troncos en un área cerrada. Los gases de escape contienen monóxido de carbono que, al inhalarlos, pueden causar la muerte.

ADVERTENCIA

- NUNCA utilice la cortadora de troncos sobre terrenos resbaladizos, húmedos, fangosos o congelados.
- SIEMPRE calce las ruedas antes de cortar.
- SOLO utilice la cortadora de troncos sobre terrenos uniformes. Si utiliza la cortadora en una pendiente, es posible que se voltee o que los troncos se caigan.
- SOLO utilice la cortadora de troncos durante el día o con buena luz artificial.
- SIEMPRE mantenga el área de trabajo limpia. Para evitar accidentes, retire los pedazos de madera de la cortadora de inmediato.



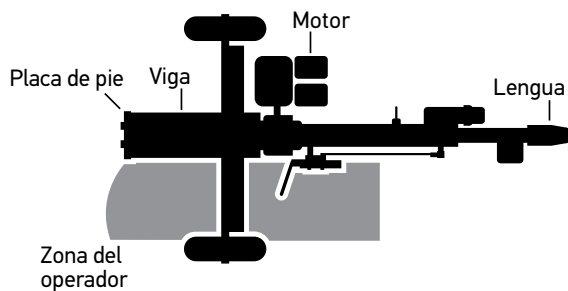
Preparación del tronco

Los dos extremos del tronco deben cortarse lo más cuadrado posible para evitar que el tronco se salga de la cortadura mientras funciona. No corte troncos de más de 25.5 in de longitud.

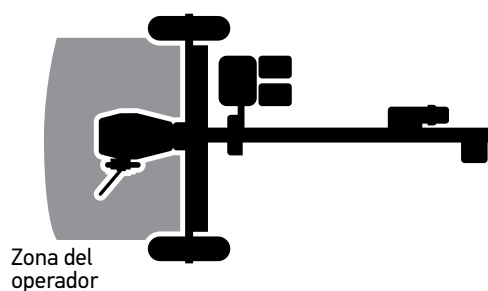
Funcionamiento de la cortadora de troncos

Como se muestra en el diagrama, solo un operador puede utilizar la cortadora de troncos desde la zona de operadores. Aleje a todos los transeúntes y las mascotas. El operador tiene el acceso más seguro y eficaz a la válvula de control y a la viga en este lugar. Utilizar la cortadora de troncos en otro lugar puede provocar lesiones graves o la muerte.

Posición horizontal



Posición vertical



- NUNCA corte un tronco que pese más de 100 lbs en posición horizontal.
- SIEMPRE coloque la cortadora de troncos en un área limpia y uniforme. De lo contrario, esta puede inestabilizarse.
- SIEMPRE bloquee las ruedas para evitar que la cortadora de troncos se mueva mientras funciona.
- SEPA cómo detener la cortadora de troncos y desconectar los controles antes de utilizarla.
- NUNCA coloque las manos o los pies entre el tronco y la cuña de corte durante los golpes hacia adelante o hacia atrás, ya que esto puede provocar lesiones graves o, incluso, la muerte.
- NUNCA se suba ni pase por encima de la cortadora de troncos mientras funciona.
- NUNCA se extienda ni se incline sobre la cortadora de troncos para recoger un tronco.
- NUNCA corte más de un tronco a la vez.
- NUNCA intente cortar un tronco por las vetas.
- NUNCA intente cargar la cortadora de troncos cuando se muevan el martillo o la cuña.
- NUNCA use el pie, una cuerda o algún dispositivo de extensión para accionar la palanca de control de la válvula. Solo utilice la mano.
- NUNCA mueva la cortadora de troncos mientras el motor está en marcha. Apague el motor si ya no va a utilizar la cortadora de troncos, aunque sea por un corto período.
- NUNCA toque el silenciador ni las áreas calientes del motor durante el funcionamiento. Espere a que el motor se enfríe.

Reparación general

ADVERTENCIA

- NUNCA altere la cortadora de troncos de ninguna manera. Si lo hace, es posible que se pierda la seguridad de la cortadora de troncos y que se anule la garantía.
- NUNCA manipule el motor para hacerlo funcionar a velocidades excesivas. La velocidad máxima del motor está preestablecida por el fabricante, y se establece dentro de los límites de seguridad. Si se hace funcionar el motor a velocidades excesivas, se anulará la garantía. Consulte el manual del propietario del motor para su divisor de troncos particular.
- NUNCA realice ninguna tarea de mantenimiento o reparación en la cortadora de troncos sin antes retirar el cable de la bujía.
- SIEMPRE sustituya todas las piezas dañadas o desgastadas de inmediato.
- SIEMPRE asegúrese de que todas las piezas de repuesto cumplan las especificaciones del fabricante.

PRECAUCIÓN

- NUNCA utilice la cortadora de troncos si está en malas condiciones mecánicas o necesita reparación.
- SIEMPRE realice todos los procedimientos de mantenimiento recomendados antes de usar la cortadora de troncos.

AVISO

- SIEMPRE compruebe el nivel de aceite hidráulico y de aceite del motor antes del funcionamiento.
- SIEMPRE compruebe de manera periódica que todas las tuercas, los pernos, los tornillos, los accesorios hidráulicos y las abrazaderas de manguera estén apretados.

Seguridad hidráulica

El sistema hidráulico de la cortadora de troncos necesita una cuidadosa inspección junto con las piezas mecánicas. Asegúrese de reemplazar las mangueras hidráulicas o los componentes hidráulicos rasgados, doblados, agrietados o dañados de alguna otra manera.

PELIGRO

- NUNCA utilice la mano para comprobar si hay fugas de fluido hidráulico. El fluido que escapa de un pequeño orificio puede ser casi invisible. El fluido que escapa bajo presión puede tener suficiente fuerza para penetrar en la piel y causar LESIONES GRAVES o, incluso, la MUERTE. Para detectar las fugas de manera segura, pase un trozo de cartón sobre la fuga sospechosa y fíjese si se descolora.
- SIEMPRE preste atención médica profesional de inmediato si se lesiona por el escape de fluido hidráulico. Se puede provocar una infección o reacción grave si no se administra inmediatamente el tratamiento médico adecuado.

ADVERTENCIA

- NUNCA retire la tapa del tanque o depósito hidráulico mientras funciona la cortadora de troncos. El tanque puede contener aceite caliente a presión y provocar graves lesiones.
- NUNCA ajuste la válvula hidráulica. La válvula de alivio de presión de la cortadora de troncos está preestablecida de fábrica. Solo un técnico de servicio cualificado debe realizar este ajuste.

PRECAUCIÓN

- Para liberar toda la presión, SIEMPRE asegúrese de apagar el motor y mover la manija de la válvula de control hacia adelante y hacia atrás, en caso de que sea necesario para aflojar o retirar los accesorios hidráulicos.

Prevención de incendios

ADVERTENCIA

- NUNCA utilice la cortadora de troncos cerca de una llama o una chispa, ni fume durante el funcionamiento. El aceite hidráulico y la gasolina son inflamables y pueden explotar.
- NUNCA llene el tanque de gasolina mientras el motor está caliente o en marcha. Deje que el motor se enfríe antes de recargar combustible.
- SÓLO recargue la cortadora de troncos en un área despejada y bien ventilada, sin humos ni derrames de gas.
- SIEMPRE sustituya la tapa del gas de forma segura.
- Si se derrama gasolina, aleje la cortadora de troncos del área del derrame y evite crear fuentes de ignición hasta que se haya evaporado el derrame de gas.
- SIEMPRE limpie los restos de madera del motor, del silenciador y de la viga.
- SIEMPRE almacene la gasolina en un recipiente aprobado, bien cerrado y lejos de los aparatos de calefacción. Almacene el recipiente en un lugar fresco y seco.

PRECAUCIÓN

- SIEMPRE vacíe el depósito de combustible antes de almacenarlo para evitar posibles incendios.

Parachispas

Esta cortadora de troncos tiene un motor de combustión interna y no debe utilizarse sobre o cerca de ningún terreno sin asfaltar cubierto de bosques, matorrales o hierba, a menos que el sistema de escape del motor tenga un parachispas que cumpla las leyes locales o estatales vigentes (si las hay). En el estado de California, la ley exige un parachispas.




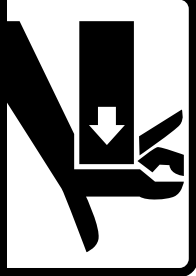
Otros estados tienen leyes similares. En las tierras federales se aplican las leyes federales. Siempre compruebe los requisitos legales de su área.

Si se utiliza un parachispas, el operador debe mantenerlo en buen estado de funcionamiento. El silenciador del parachispas es opcional y puede obtenerla como un accesorio a través del distribuidor de motores más cercano.

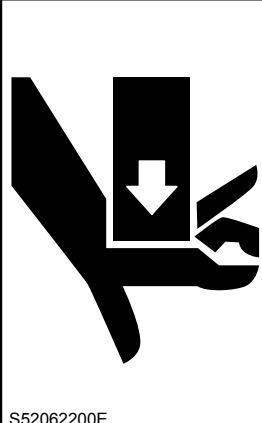



Como medida de precaución contra posibles chispas, lleve siempre un extintor de incendios de clase B cuando utilice esta cortadora de troncos en áreas secas.

Calcomanías de seguridad

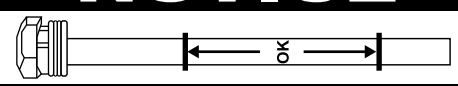
Asegúrese de que todas las calcomanías de advertencia de seguridad estén en buen estado y sean legibles. Si se perdieron o dañaron las calcomanías, sustitúyalas. Llame al 1-800-525-8322 para pedir calcomanías de repuesto. El número de material del kit de calcomanías de seguridad es 622521.

 WARNING	 ADVERTENCIA	 AVERTISSEMENT	
<p>To minimize risk of serious injury or death to you or others, when towing log splitter:</p> <ul style="list-style-type: none"> - Read manual for how to properly attach coupler to hitch ball and how to safely tow. - Use correct ball size. - Do not exceed weight capacity of ball or load limits of coupler. - Always use safety chains. - Never exceed 45 mph. - Avoid sharp turns and steep angles. - Confirm coupler tightness each time before towing and after towing 50 miles. - Replace ball or coupler if damaged. 	<p>Para minimizar el riesgo de lesiones severas o la muerte a usted o a terceros mientras remolca una cortadora de troncos:</p> <ul style="list-style-type: none"> - Lea el manual para saber cómo adherir el acople a la esfera del enganche y cómo remolcar en forma segura. - Use el tamaño de esfera correcto. - No exceda la capacidad de peso de la esfera ni los límites de carga del acople. - Siempre use cadenas de seguridad. - Nunca exceda los 45 mph. - Evite los giros bruscos y los ángulos marcados. - Revise la firmeza del acople todas las veces antes de remolcar y después de remolcar una distancia de 50 mil las. - Reemplace la esfera o el acople si están dañados. 	<p>Pour minimiser les risques de blessures graves ou mortelles pour vous et pour les autres pendant le remorquage de la fendeuse hydraulique:</p> <ul style="list-style-type: none"> - Lira le manuel pur savoir comment accrocher correctement le coupleur à la boule d'attelage et remorquer de manière sécuritaire. - Utiliser une boule de la bonne grosseur. - Ne pas dépasser la capacité pondérale de la boule ni les limites de charge du coupleur. - Toujours utiliser des chaînes de sécurité. - Ne jamais dépasser une vitesse de 45 m/h. - Éviter les virages serrés et les angles d'approche accentués. - S'assurer du serrage du coupleur à chaque fois, avant et après un remorquage sur 50 miles. - Remplacer le coupleur ou la boule d'attelage s'ils sont endommagés. 	<small>S52062500 AC</small>

NÚMERO DE PIEZA: S52062500
 UBICACIÓN: LADO, EXTREMO DELANTERO DE LA LENGUA

	 DANGER
	Crush Hazard Keep hands clear when cutting wedge is moving.
	 PELIGRO
	Riesgo de aplastamiento Mantenga las manos alejadas cuando la cuña de corte está en movimiento.
	 DANGER
	Danger d'écrasement Tenir les mains éloignées lorsque le bord tranchant est en mouvement
<small>S52062200E</small>	

NÚMERO DE PIEZA: S52062200
 UBICACIÓN: PARTE SUPERIOR DEL CILINDRO

NOTICE

To prevent damage to the hydraulic system, do not fill tank beyond "OK" range on dipstick. Use universal hydraulic fluid or DEXTRON II Transmission Fluid. Use 10W AW32, ASLE H-150, or ISO 32 type hydraulic fluid.
AVISO
Para prevenir daños en el sistema hidráulico, no llene el tanque más allá de la marca "OK" en la varilla. Use fluido hidráulico universal o fluido de transmisión DEXTRON II. Use fluido hidráulico tipo 10W AW32, ASLE H-150 o ISO 32.
AVIS
Pour prévenir les dommages du système hydraulique, ne pas remplir le réservoir au-delà la marque « OK » apparaissant sur la jauge graduée. Utilisez un fluide hydraulique universel ou le liquide pour Transmission DEXTRON II. Utilisez un fluide hydraulique de type 10W AW32, ASLE H-150, ou ISO 32.
<small>S52062400 AB 03/20</small>

NÚMERO DE PIEZA: S52062400 UBICACIÓN: TANQUE INFERIOR DEL TANQUE HIDRÁULICO, ESQUINA DERECHA

<p>⚠ WARNING</p> <p>To minimize the risk of serious injury or death:</p> <ul style="list-style-type: none"> • Read and thoroughly understand owner's manual and engine manual before assembly, operation, towing and maintenance. • Only one operator permitted. Must operate in operator safe zone. Keep all bystanders and pets away. • Do not step or reach over splitter during operation. • Hold logs by the sides, never by ends. • Keep hands, body, and clothing away from moving parts when splitting. • Do not operate indoors. • Do not check for high pressure oil leaks with your hands. Use cardboard. • Wear safety glasses, shoes, and hearing devices. • Do not operate if tired or under influence of alcohol or drugs. • Hot surface. Do NOT touch hot cylinder. <p>OPERATING INSTRUCTIONS</p> <ol style="list-style-type: none"> 1. Place splitter on dry, level surface. Remove debris. 2. Start engine. Advance throttle to max. 3. Place log onto beam, against foot plate. 4. Split wood in direction of grain. 5. Move control handle to EXTEND or RETRACT as needed. <p>Control Valve</p> <p>Retract ▲</p> <p>●</p> <p>Extend ▼</p> <p>For Responsive Service or if manual is missing Call 1-800-525-8322 or visit SpeeCo.com</p>
<p>⚠ ADVERTENCIA</p> <p>Para minimizar el riesgo de lesiones severas o la muerte:</p> <ul style="list-style-type: none"> • Lea y asegúrese de entender completamente el manual del usuario y el manual del motor antes de proceder a las operaciones de montaje, operación, remolque y mantenimiento. • Se permite solo un operador por vez, que debe operar en la zona segura para el operador. Todos los transeúntes y mascotas deben mantenerse alejados. • No se pare ni pase sobre la cortadora de troncos durante la operación. • Sostenga los troncos por los costados, nunca por los extremos. • Mantenga las manos, el cuerpo y la ropa alejadas de las partes en movimiento durante la operación. • No opere en interiores. • No inspeccione para determinar si hay filtraciones de aceite de alta presión con las manos, utilice cartón. • Utilice antiparras, calzado de seguridad y dispositivos para la protección de los oídos. • No opere el equipo si se siente cansado o está bajo la influencia del alcohol o las drogas. • Superficie caliente, NO toque el cilindro caliente. <p>INSTRUCCIONES DE OPERACIÓN</p> <ol style="list-style-type: none"> 1. Coloque la cortadora sobre una superficie seca y nivelada. Quite toda la suciedad que haya sobre la superficie. 2. Arranque el motor. Lleve el acelerador a la posición máxima. 3. Coloque el tronco sobre el brazo, contra el pedal. 4. Corte la madera en la dirección de la veta. 5. Mueva la palanca de control para EXTENDER o RETRAER, según resulte necesario. <p>Válvula de control</p> <p>Retraer ▲</p> <p>●</p> <p>Extender ▼</p> <p>Para solicitar servicio o si falta el manual, llame al 1-800-525-8322 o visite SpeeCo.com</p>
<p>⚠ AVERTISSEMENT</p> <p>Pour minimiser les risques de blessures graves ou mortelles :</p> <ul style="list-style-type: none"> • Lire et bien comprendre le manuel du propriétaire et le manuel du moteur avant tout assemblage, fonctionnement, remorquage et entretien. • Un seul opérateur est autorisé. Doit fonctionner dans une zone sécuritaire pour l'opérateur. Tenir tous les spectateurs et animaux à distance. • Ne pas marcher sur la refendeuse ni passer par-dessus pendant le fonctionnement. • Tenir les rondins par les côtés, jamais par les extrémités. • Tenir les mains, le corps et les vêtements éloignés des pièces mobiles lors du fendage. • Ne pas faire fonctionner à l'intérieur. • Ne pas vérifier les fuites d'huile à haute pression avec vos mains. Utiliser un carton. • Porter des lunettes et souliers de sécurité ainsi qu'un dispositif de protection auditive. • Ne pas faire fonctionner si vos facultés sont affaiblies par l'alcool ou des drogues. • Surface chaude. NE PAS toucher le cylindre chaud. <p>DIRECTIVES DE FONCTIONNEMENT</p> <ol style="list-style-type: none"> 1. Placer la refendeuse sur une surface sèche et nivelée. Enlever les débris. 2. Démarrer le moteur. Avancer la manette de poussée au maximum. 3. Placer le rondin sur la poutre, contre la palette d'appui-pied. 4. Fendre le bois dans le sens du grain. 5. Déplacer la poignée de commande vers DÉPLOYER ou RÉTRACTER, au besoin. <p>Valve de commande</p> <p>Rétracter ▲</p> <p>●</p> <p>Déployer ▼</p> <p>Pour un service attentif ou si vous n'avez pas de manuel, composez le 1-800-525-8322 ou visitez SpeeCo.com</p>

NÚMERO DE PIEZA: S52062100
 UBICACIÓN: PARTE SUPERIOR DEL CILINDRO HIDRÁULICO



NÚMERO DE PIEZA: S52062300
 UBICACIÓN: PLACA DE EXTRACCIÓN, LADO OPUESTO AL OPERADOR

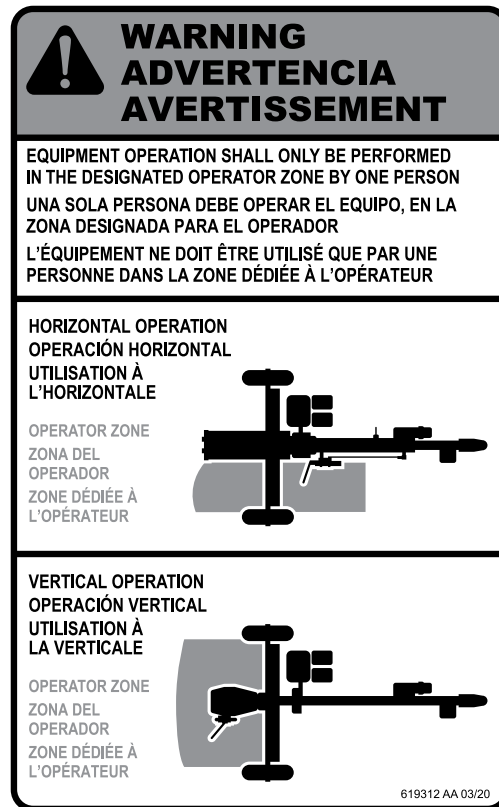


NÚMERO DE PIEZA: S52062600
 UBICACIÓN: PLACA DE EXTRACCIÓN, LADO DEL OPERADOR



NÚMERO DE PIEZA: 622869
 UBICACIÓN: CAJA

CINTA REFLECTANTE
 NÚMERO DE PIEZA: S52020700
 UBICACIÓN: PARTE TRASERA DEL TANQUE






NÚMERO DE PIEZA: 619312
 UBICACIÓN: TANQUE



NÚMERO DE PIEZA: 582221
 UBICACIÓN: LENGUA



NÚMERO DE PIEZA: 608317
 UBICACIÓN: LENGUA

 WARNING ADVERTENCIA AVERTISSEMENT	
	<p>Explosive fuel can cause fires and severe burns. Stop engine before filling fuel tank. Leave 5/8" (16 mm) at top of tank for fuel expansion. Read owner's manual.</p> <p>La explosión de combustible puede causar incendios y quemaduras graves. Pare el motor ante de llenar el tanque de combustible. Deje 5/8" (16 mm) en la parte superior del tanque para la expansión del combustible. Lea el manual del propietario.</p>
	<p>Le carburant explosif peut entraîner des incendies et des brûlures graves. Arrêter le moteur avant de remplir le réservoir de carburant. Laisser un espace vide de 5/8 po (16 mm) en haut du réservoir pour l'expansion du carburant. Lire le manuel du propriétaire.</p>

621827 AA.03/20

NÚMERO DE PIEZA: 621827

UBICACIÓN: TANQUE DE COMBUSTIBLE DEL MOTOR

Instrucciones de ensamblaje

Esta cortadora de troncos está parcialmente ensamblada de fábrica. Consulte los dibujos y la lista de piezas en caso de que sea necesario desensamblar la unidad para repararla o sustituirla. Los dibujos de este manual se proporcionan solo como referencia. Algunos de los componentes de la cortadora de troncos pueden parecer levemente diferentes.

PRECAUCIÓN: Para evitar daños personales, siempre busque ayuda al mover o ensamblar los componentes más pesados, como una viga.

Herramientas necesarias

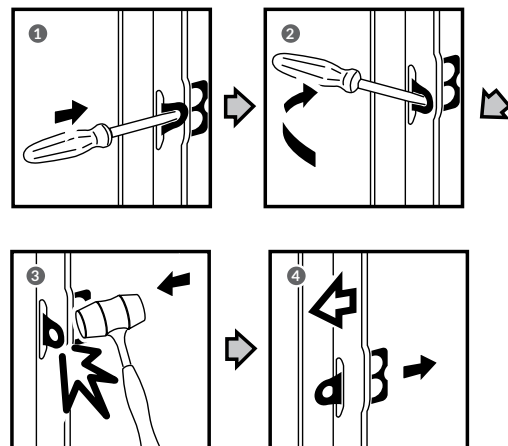
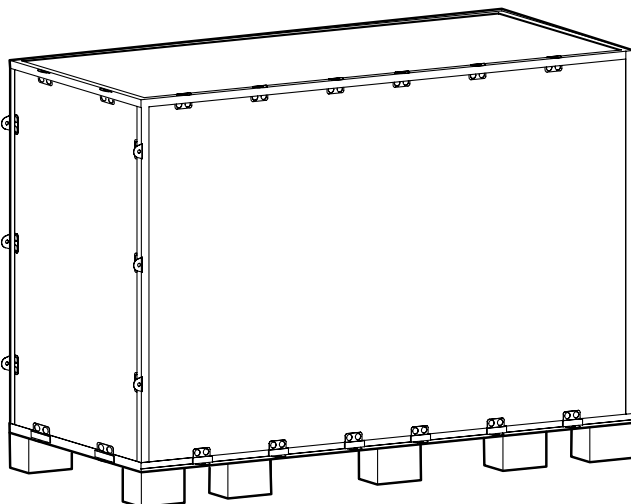
Destornillador plano de 1/4 in de ancho	Llave de 19 mm
Martillo	Llave hexagonal de 10 mm (incluida)
Llave de 10 mm	Alicate
Llave de 13 mm	Cúter
Llave de 18 mm	

Paso 1:

- 1a: Abra todos los bloqueos metálicos laterales para retirar la parte superior y los lados. Tenga cuidado, ya que pueden producirse cambios.
- 1b: Retire los elementos sueltos de la caja y déjelos a un lado.
- 1c: Corte todas las correas de sujeción e inspeccione cada pieza por si hay daños.
- 1d: Tenga en cuenta de que se incluyen los siguientes elementos en la caja:

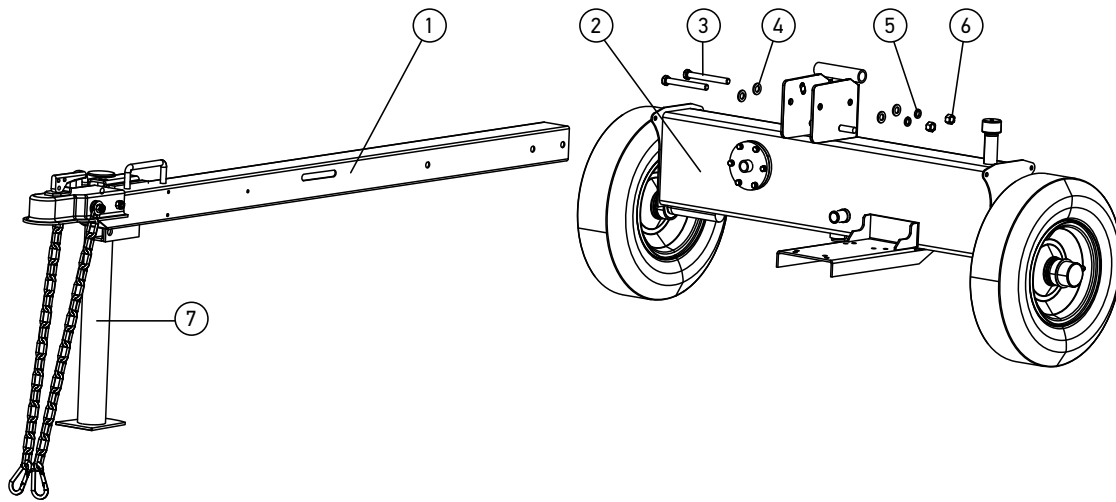
Descripción	Cantidad	Descripción	Cantidad
Ensamblaje de la viga	1	Ensamblaje de las ruedas	2
Ensamblaje del tanque	1	Receptor de troncos	1
Ensamblaje del motor o la bomba	1	Kit de accesorios	1
Mangueras de presión	2	Recipiente manual	1

Nota: Si alguna pieza está dañada, póngase en contacto con el distribuidor o con el transportista.



Paso 2:

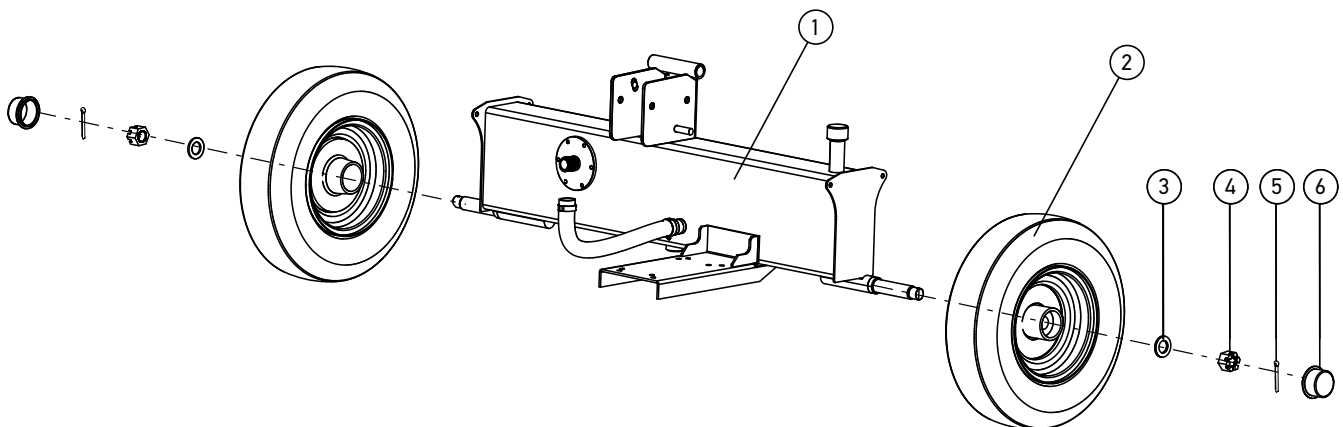
- 2a: Localice el ensamblaje de la lengua y gire el gato en la posición hacia abajo.
- 2b: Retire el perno de sujeción que asegura el tanque a la base de la paleta.
- 2c: Coloque la lengua de manera que los orificios de montaje se alineen con los agujeros de la lengua de los tanques.
- 2d: Inserte los dos pernos M12 x 110 mm con una arandela plana debajo del cabezal del perno.
- 2e: Coloque una arandela plana, una arandela de seguridad, una tuerca en cada perno y apriete.



Elemento	Descripción	Cantidad
1	Ensamblaje de la lengua	1
2	Ensamblaje del tanque	1
3	Perno M12 x 110 mm	2
4	Arandela plana	4
5	Arandela de seguridad	2
6	Tuerca M12	2
7	Soporte de tierra / Gato estabilizador	1

Paso 3:

- 3a: Gire el ensamblaje de la lengua del tanque en la esquina de la base de la caja para que los ejes salgan de la base.
- 3b: Localice los conjuntos de ruedas, arandelas planas, tuercas de seguridad, pasadores de chaveta y tapones de polvo del kit de accesorios.
- 3c: Retire la cubierta protectora de un eje y la cubierta de plástico de una rueda.
- 3d: Coloque la rueda (con el vástago de la válvula apuntado), el cojinete exterior, la arandela plana y la tuerca de seguridad.
- 3e: Ajuste la tuerca de seguridad hasta que esté bien apretada y gire la rueda tres vueltas completas para asentar los cojinetes.
- 3f: Para colocar el pasador de chaveta, retroceda (afloje) la tuerca de seguridad lo suficiente para alinear el orificio del eje con las muescas de la tuerca de seguridad. No afloje más de lo necesario para colocar el pasador de chaveta.
- 3g: Gire la rueda para comprobar si no hay problemas. Nota: Se acepta una pequeña cantidad de juego.
- 3h: Inserte el pasador de chaveta y divida o doble el extremo del pasador a la izquierda y a la derecha.
- 3i: Coloque la tapa antipolvo.
- 3j: Repita los pasos descritos anteriormente para colocar otra rueda.



Elemento	Descripción	Cantidad
1	Ensamblaje del tanque	2
2	Ensamblaje de la rueda	2
3	Arandela plana	2
4	Tuerca de seguridad	2
5	Pasador de chaveta	2
6	Tapa antipolvo	2

Paso 4:

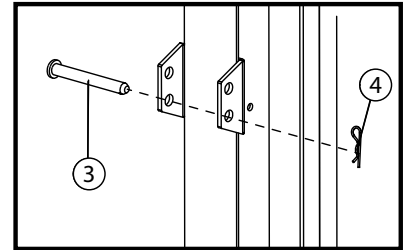
- 4a: Retire los dos pernos de sujeción que aseguran la viga a la base de la caja.
- 4b: Deslice la viga hacia abajo de modo que la placa de pie cuelgue sobre el borde de la base de la caja.
- 4c: Utilice dos personas o un dispositivo de elevación adecuado para colocar el conjunto de la viga en un extremo como se muestra, pero asegúrese de que la viga se encuentre en una superficie estable y uniforme.



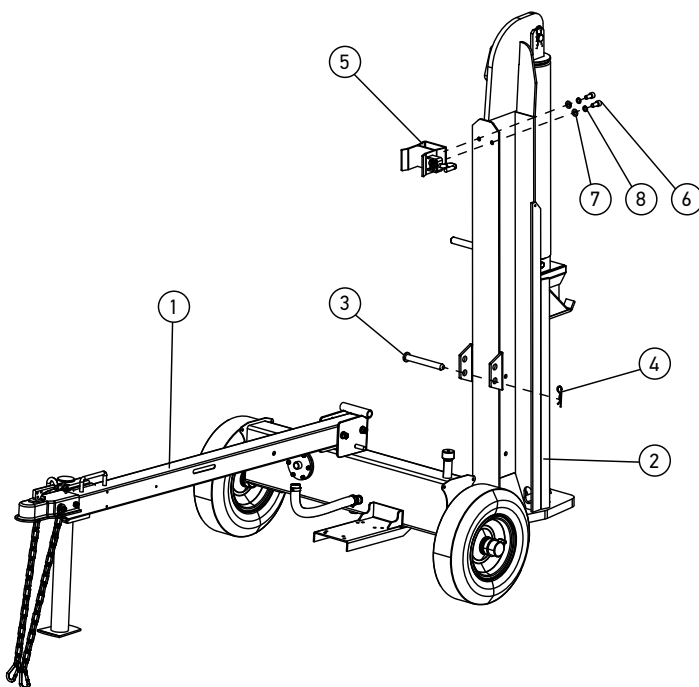
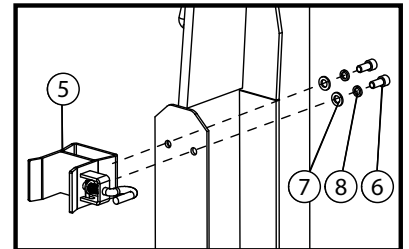
PRECAUCIÓN: Haga que una persona estabilice la viga hasta que se fije al ensamblaje del tanque o de la lengua.

- 4d: Localice el pasador de pivote y el clip R del kit de accesorios.
- 4e: Enrolle el conjunto del tanque o de la lengua en su posición y alinee el tubo del pivote situado en el conjunto del tanque con los orificios situados en las dos lenguas que están en la viga.
- 4f: Deslice el pasador del pivote por los dos agujeros y sujételo con el clip R.
- 4g: Encienda el bloqueo vertical de la viga situada cerca del tubo de pivote en el ensamblaje del tanque.
- 4h: Con la viga en posición vertical, localice la viga al bloqueo de la lengua (2) M12 x 25 SHCS, las (2) arandelas planas M12 y las (2) arandelas de cierre M12 del kit de accesorios.
- 4i: Ponga el bloqueo de la viga en posición y alinee los orificios.
- 4j: Utilice la llave hexagonal y los accesorios suministrados para fijar el bloqueo de la viga en su lugar.
- 4k: Baje la viga a la posición horizontal y verifique que se bloquee en la lengua.

4f:



4j:



Elemento	Descripción	Cantidad
1	Ensamblaje del tanque y de la lengua	1
2	Ensamblaje de la viga	1
3	Pasador	1
4	Clip R	1
5	Bloqueo de la viga	1
6	Tornillo M12 x 25 mm	2
7	Arandela plana	2
8	Arandela de seguridad	2

Paso 5:

- 5a: Localice el ensamblaje del motor y de la bomba y retire los dos pernos de sujeción.
- 5b: Coloque el ensamblaje del motor y de la bomba en la placa del motor situada en el ensamblaje del tanque.

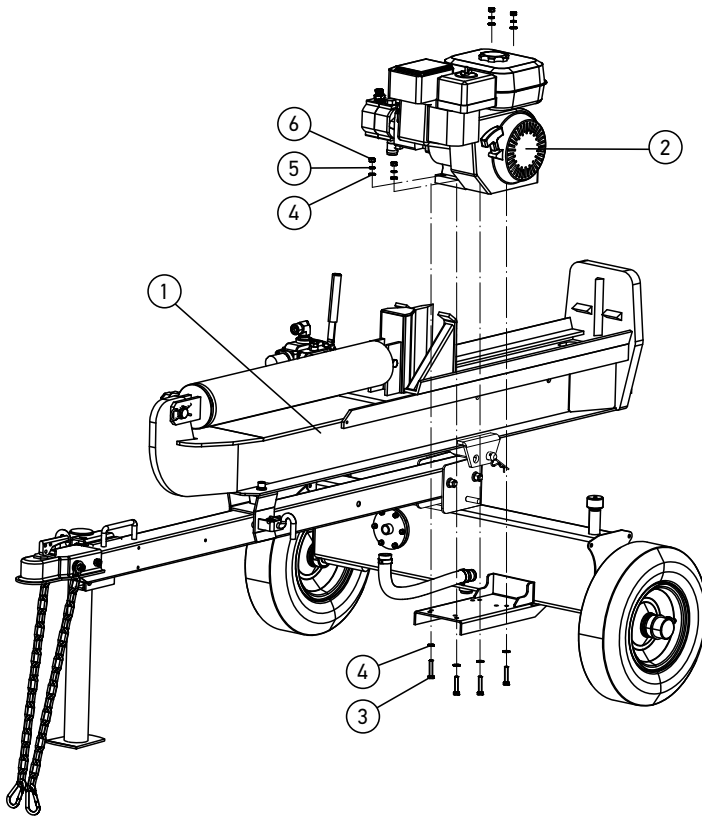
5c: Para los modelos 25T y 30T

Localice los (4) pernos M8 x 40, la (8) arandela plana n.º 8, las (4) arandelas de seguridad n.º 8 y las (4) tuercas M8 del kit de accesorios.

Para los modelos 35T

Localiza los (4) pernos M10 x 45, la (8) arandela plana n.º 10, las (4) arandelas de seguridad n.º 10 y las (4) tuercas M10 del kit de accesorios.

- 5d: Colóquelos como se muestra y apriételos.

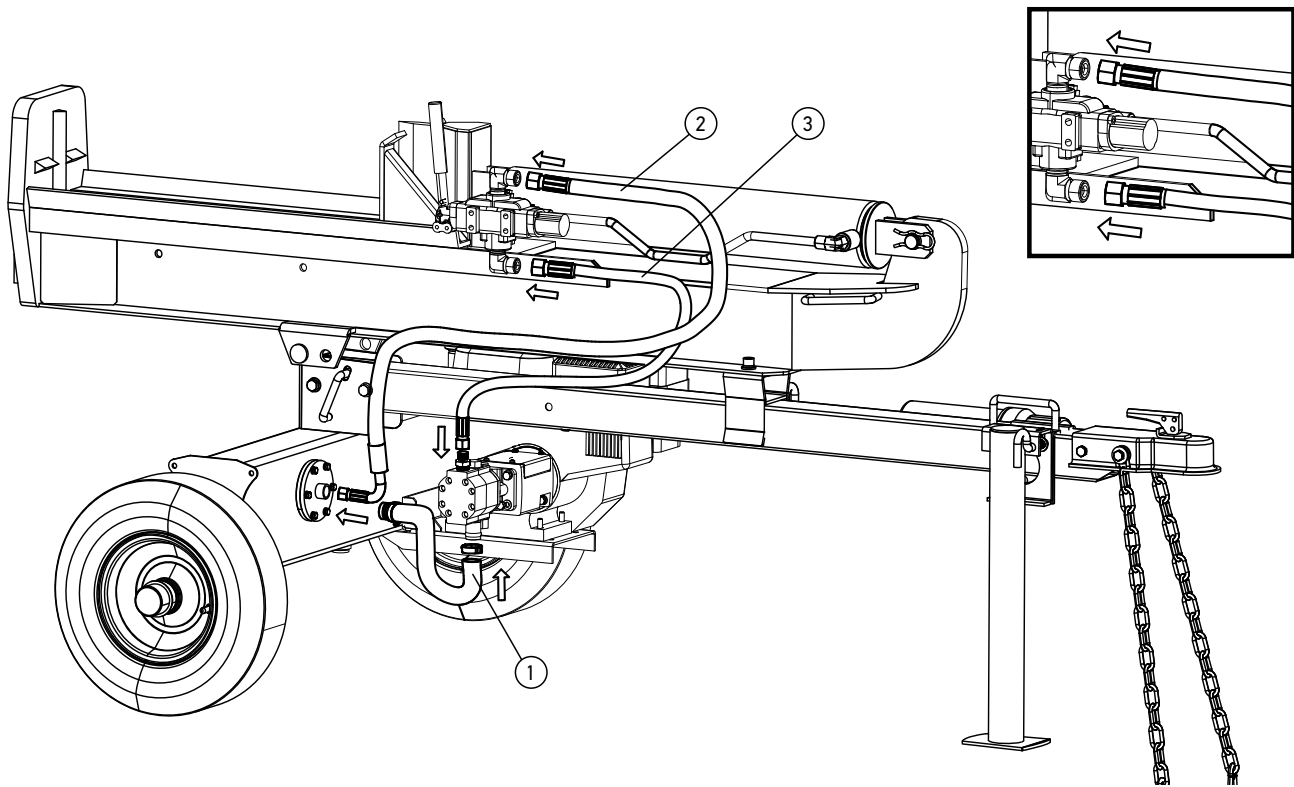


Elemento	Descripción	Cantidad
1	Ensamblaje de la cortadora de troncos	1
2	Ensamblaje del motor y de la bomba	1
25T y 30T		
3	Perno M8 x 40	4
4	Arandela plana M8	8
5	Arandela de seguridad M8	4
6	Tuerca M8	4
35T		
3	Perno M10 x 45	4
4	Arandela plana M10	8
5	Arandela de seguridad M10	4
6	Tuerca M10	4

Paso 6:

- 6a: Retire la tapa antipolvo de plástico situado en el extremo del tubo de succión y afloje la abrazadera de la manguera.
- 6b: Deslice la manguera del tubo de succión situado en la parte inferior de la bomba hidráulica y apriete la abrazadera.
- 6c: Localice las dos mangueras de presión y retire las tapas situadas en los extremos.
- 6d: Tome la manguera con el extremo de 90 grados, sujétela a la cubierta redonda del filtro y apriétela como se muestra.
- 6e: Ate el otro extremo al ensamblaje de la válvula como se muestra.
- 6f: Tome la manguera restante, conéctela a la bomba y apriétela como se muestra.
- 6g: Ate el otro extremo al ensamblaje de la válvula como se muestra.

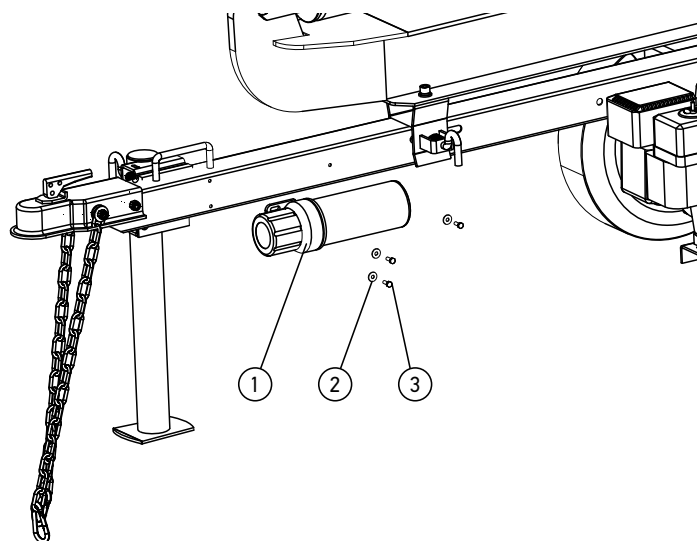
Nota: Los conectores de la manguera solo se adaptan a la conexión adecuada y no se pueden conectar en otro lugar.



Elemento	Descripción	Cantidad
1	Manguera de succión	1
2	Manguera de retorno	1
3	Manguera de presión	1

Paso 7:

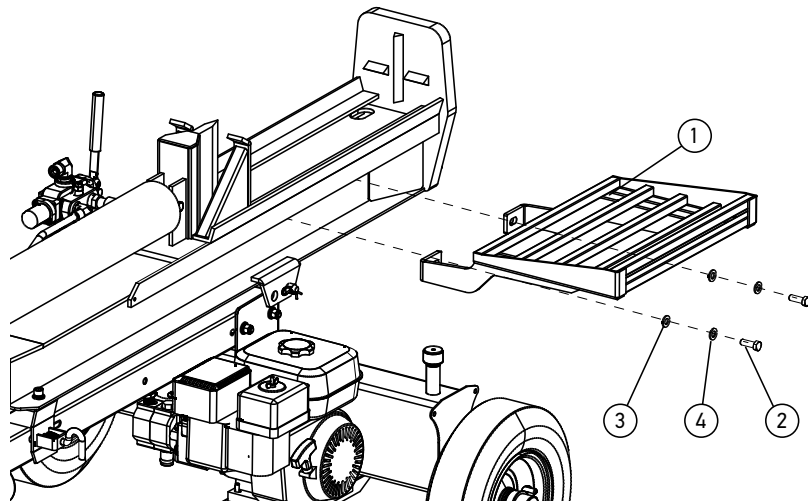
- 7a: Localice el recipiente manual, el (3) tornillo M6 y las (3) arandelas planas M6 del kit de accesorios.
- 7b: Retire la tapa del recipiente manual para que sea más fácil colocarla.
- 7c: Utilice los accesorios suministrados para colocar el recipiente manual.



Elemento	Descripción	Cantidad
1	Recipiente manual	1
2	Arandela M6	3
3	Perno hex. M6 x 20	3


Paso 8:

- 8a: Localice la caja de accesorios del receptor de troncos.
- 8b: Retire el contenido e inspeccione si hay daños. Nota: Si alguna pieza está dañada, póngase en contacto con el distribuidor o con el transportista.
- 8c: Localice los (2) pernos M12 x 35 mm, las (2) arandelas planas M12 y las (2) arandelas de seguridad M12.
- 8d: Alinee los orificios del receptor de troncos con los orificios de la viga.
- 8e: Utilice los accesorios suministrados para atar el receptor de troncos y apriételos.




Elemento	Descripción	Cantidad
1	Receptor de troncos	1
2	Perno M12 x 35 mm	2
3	Arandela de 12 mm	2
4	Arandela de seguridad M12	2

Instrucciones de funcionamiento

 **ADVERTENCIA:** Revise y comprenda completamente todas las instrucciones de este manual y de las calcomanías de seguridad antes de ensamblar o utilizar esta cortadora de troncos. Si no lo hace, se pueden provocar lesiones graves o, incluso, la muerte. No permita que nadie que no haya leído este manual utilice esta cortadora de troncos. Como todo equipo de energía, una cortadora de troncos puede ser peligrosa si se ensambla o se usa de forma inadecuada. No utilice esta cortadora de troncos si tiene alguna duda sobre su funcionamiento seguro. Si tiene dudas, llame a nuestro departamento de Soporte Técnico al 1-800-525-8322.

NOTA: Esta cortadora de troncos NO incluye el aceite hidráulico ni el aceite de motor. Siga las siguientes instrucciones para llenar el tanque hidráulico. Consulte el manual del propietario del motor para obtener información sobre cómo añadir aceite.

 **PRECAUCIÓN:** No arranque ni haga funcionar el motor antes de añadir aceite en el depósito hidráulico y aceite en el motor.

Recomendaciones sobre el aceite hidráulico

PASO 1: El depósito hidráulico debe llenarse de aceite antes de su funcionamiento. Se recomienda el uso de aceite hidráulico AW22 o AW32 cuando se necesite. El fluido de la transmisión automática puede sustituirse y debe utilizarse en lugar del aceite hidráulico cuando las temperaturas sean inferiores a 32 °F. Utilice solo aceite limpio y trate de que no entre suciedad en el depósito hidráulico. Llene el tanque hidráulico con suficiente fluido hidráulico y regístrelo entre las marcas superiores e inferiores de la varilla.

PASO 2: Después de llenar el depósito hidráulico y el cárter del motor con el aceite y el fluido hidráulico recomendados, llene el motor con combustible y arranque. Haga funcionar el motor a toda velocidad y mueva la palanca de la válvula hidráulica hacia la placa de pie hasta que se detenga el vástago. A continuación, accione la palanca de la válvula en la dirección opuesta y suéltela. El vástago volverá a la posición inicial. Repita este procedimiento varias veces para llenar el vástago y expulsar el aire.

Nota:

- El movimiento errático del vástago indica que todavía hay aire en el sistema.
- La bomba hidráulica se cebará sola.

Después de permitir que el vástago hidráulico complete varias veces el ciclo, apague el motor, rellene el fluido hidráulico y busque fugas.

Recomendaciones sobre el aceite de motor

Para conocer las recomendaciones sobre el aceite del motor y las instrucciones de arranque del motor, consulte el manual del propietario del motor para obtener más información.

Funcionamiento de la cortadora de troncos

Antes de utilizar la cortadora de troncos, haga lo siguiente:

Madera: asegúrese de que la madera tenga la longitud correcta, no más de 25.5 in. Si se corta en la posición horizontal, no corte troncos de más de 100 lbs.

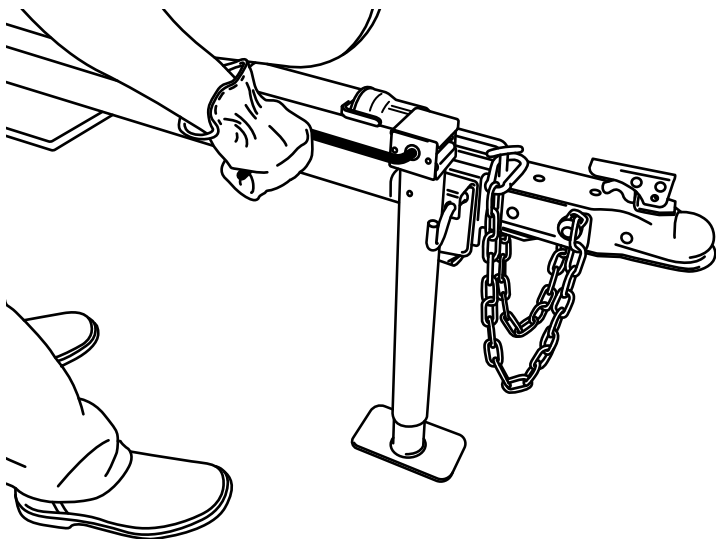
Seleccione un área uniforme de corte, lejos del suelo húmedo y de las pendientes resbaladizas.

Asegúrese de tener suficiente luz, nunca utilice la cortadora en la oscuridad.

Configuración de la cortadora de troncos

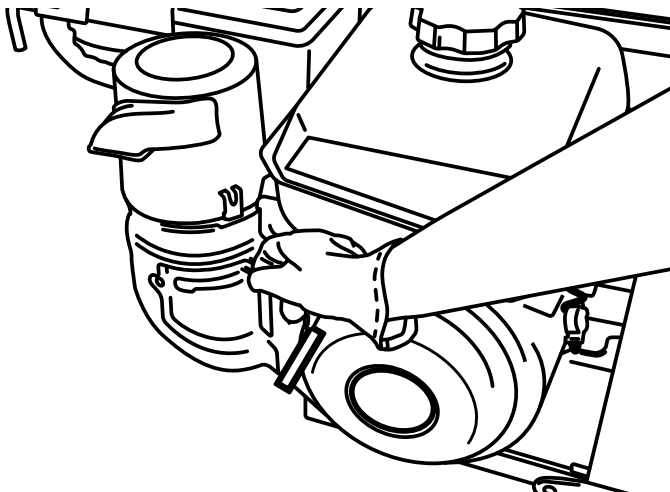
Mueva la cortadora de troncos al área seleccionada mencionada anteriormente.

Tire de la palanca de bloqueo del acoplador de bola de 2 in y bájela al suelo o al soporte de gato para desenganchar la cortadora de troncos del vehículo de remolque. Desconecte las cadenas de seguridad.

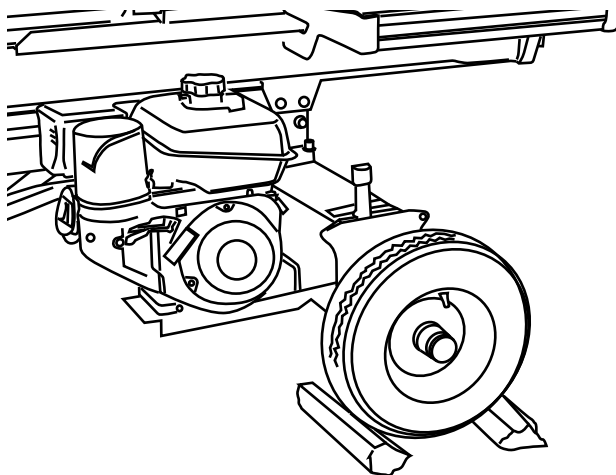


Compruebe los niveles de aceite del motor y del aceite hidráulico para asegurarse de que coinciden con el intervalo de funcionamiento adecuado.

Revise el motor para asegurarse de que tenga combustible suficiente. Para obtener más información sobre las recomendaciones de aceite del motor y las instrucciones de arranque del motor, consulte el manual del propietario del motor.

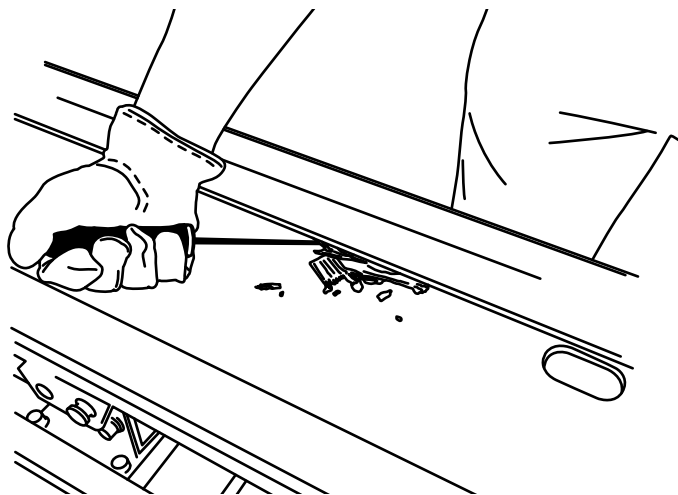


Para bloquear las ruedas, coloque las cuñas a ambos lados de la rueda para mantener la cortadora de troncos estable mientras se utiliza.



Compruebe si hay conexiones de manguera, tuercas y pernos, así como otros sujetadores sueltos antes de usarla.

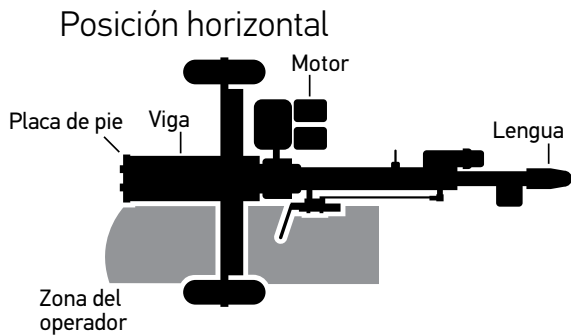
Asegúrese de que los rieles de las vigas y las ranuras de los escombros no tengan astillas ni escombros. Límpielo según sea necesario durante el corte.



⚠ ADVERTENCIA: Consulte la información de seguridad relacionada con la seguridad general, el área de trabajo, las preparaciones del tronco y el funcionamiento de la cortadora de troncos en las páginas 79 y 80 de este manual. Asegúrese de usar el equipo de protección personal recomendado descrito anteriormente.

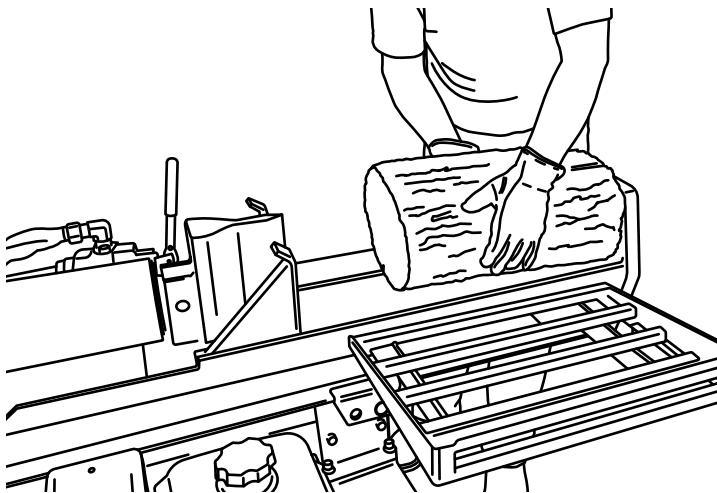
PRECAUCIÓN: Si va a utilizar la cortadora en áreas boscosas, consiga un parachispas para el sistema de escape; consulte el manual de funcionamiento y mantenimiento del motor y póngase en contacto con el centro de servicio de motores autorizado. Consulte Prevención de incendios en la página 82 de este manual.

Funcionamiento de la cortadora de troncos en posición horizontal



Una vez que se usa el EPP adecuado y se arranca el motor, seleccione el primer tronco que va a cortar, pero recuerde que no debe superar las 100 lbs.

Coloque el tronco de corte cuadrado en los rieles de la viga y deslícelo hacia la placa de pie.

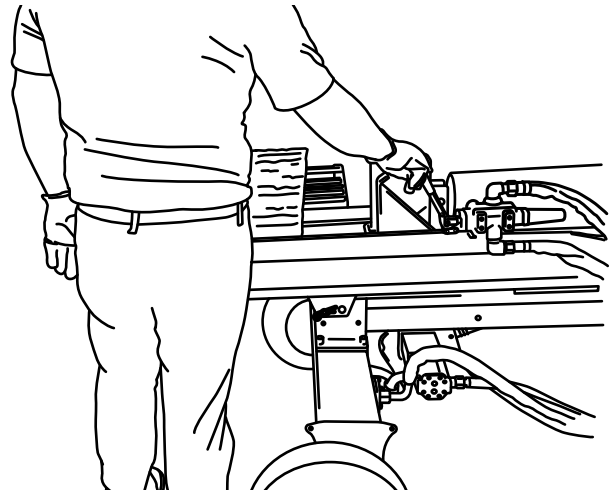


Nunca coloque las manos entre el tronco y la cuña de corte mientras coloca el tronco en los rieles de la viga; siempre sujete el tronco por los lados, no por los extremos.

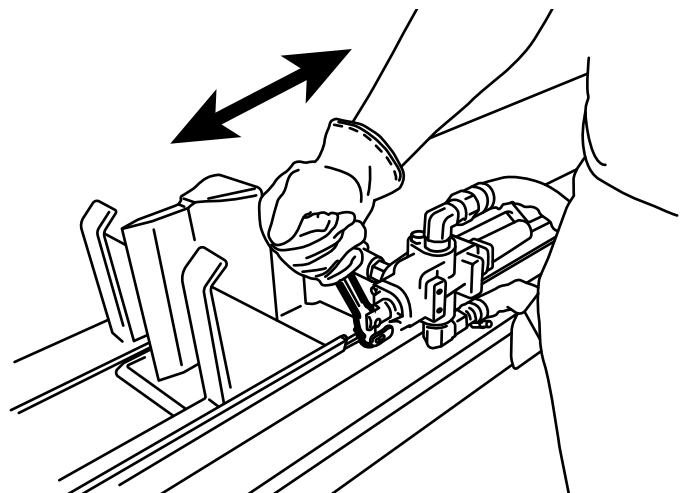
Siempre corte la madera con la veta, no contra la veta.

Nunca corte más de un tronco a la vez.

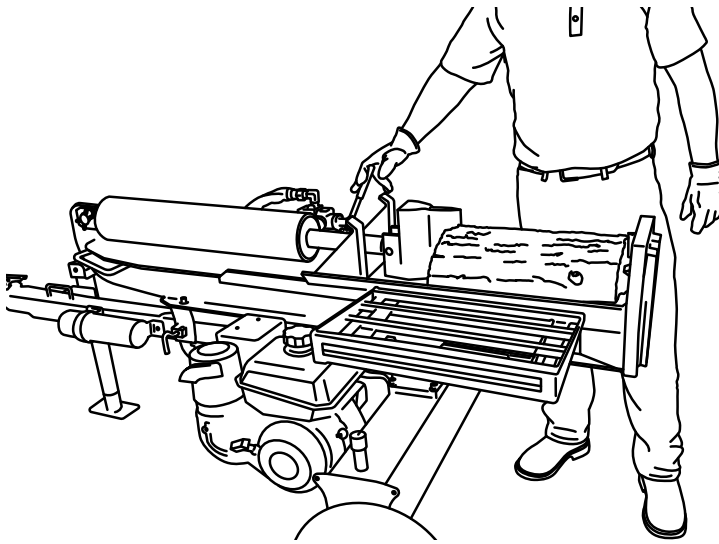
Antes de activar el accionador, asegúrese de que se encuentre en el lugar adecuado. Consulte el diagrama.



Una vez que el tronco esté en la posición correcta, coloque una mano en la palanca de accionamiento de la válvula y muévala hacia la placa de pie. De esta manera, se activará el sistema hidráulico y se accionará la cuña por el tronco. Aplique una presión constante a la palanca hasta que la cuña corte completamente la madera y el cilindro se haya desplazado por los rieles de la viga, y tire de la palanca para retraer la cuña. Cuando se accione el retén, la palanca se bloqueará en la posición de retracción hasta que regrese automáticamente a su posición inicial.



NO coloque la otra mano en el tronco mientras la cuña se desplaza hacia la placa de pie. NUNCA toque el tronco mientras el sistema hidráulico esté activado.



Si el tronco no se corta completamente una vez que la cuña se haya desplazado completamente por los rieles de la viga, tire de la manija como se describe arriba y permita que las placas de extracción sujeten el tronco para retraer la cuña. De esta manera, se liberará el tronco atascado de la cuña.

- **SIEMPRE** aleje las manos del tronco y las placas de extracción mientras la cuña se retrae.



- **SIEMPRE** mantenga la zona de trabajo sin pedazos de madera ni escombros para evitar tropiezos. Recuerde mantener los rieles de las vigas y las ranuras de los escombros sin madera ni escombros.

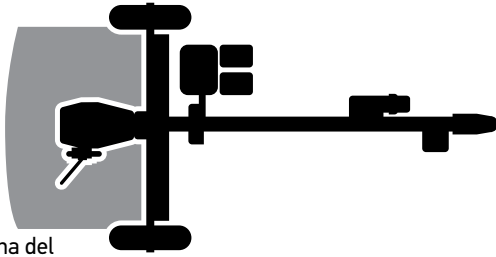
Para troncos de más de 100 lbs, recomendamos que la cortadora se coloque en posición vertical.

AVISO: Si mantiene la válvula en la posición "hacia adelante" al final del recorrido, se puede dañar la bomba.

AVISO: Para prolongar la duración del cilindro hidráulico, evite que la placa de cuñas toque la parte inferior de la placa de pie. Para cumplir las recomendaciones de seguridad de la industria, la cuña se detiene a un mínimo de 1 in de la placa de pie.

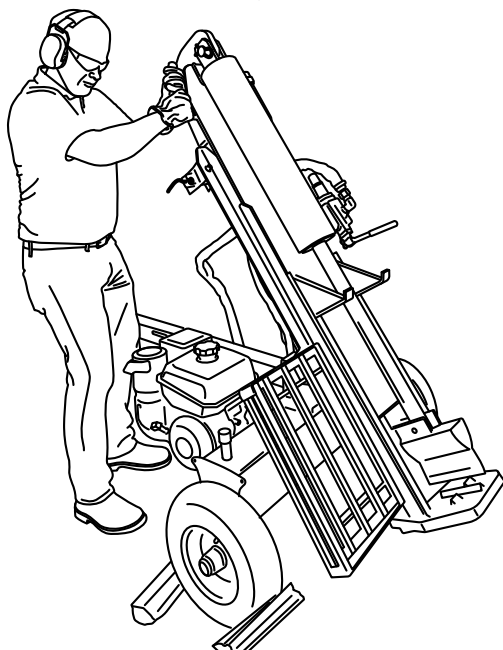
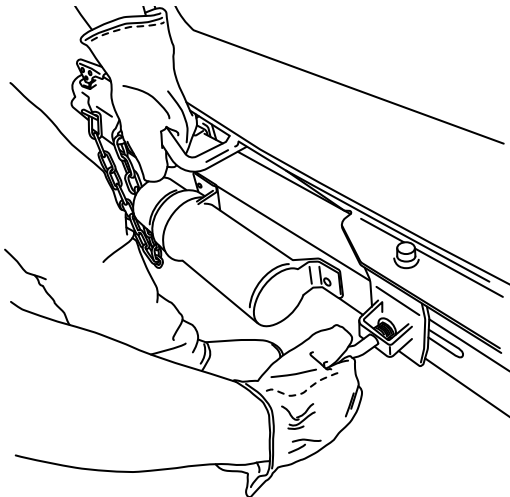
Funcionamiento de la cortadora de troncos en posición vertical

Posición vertical



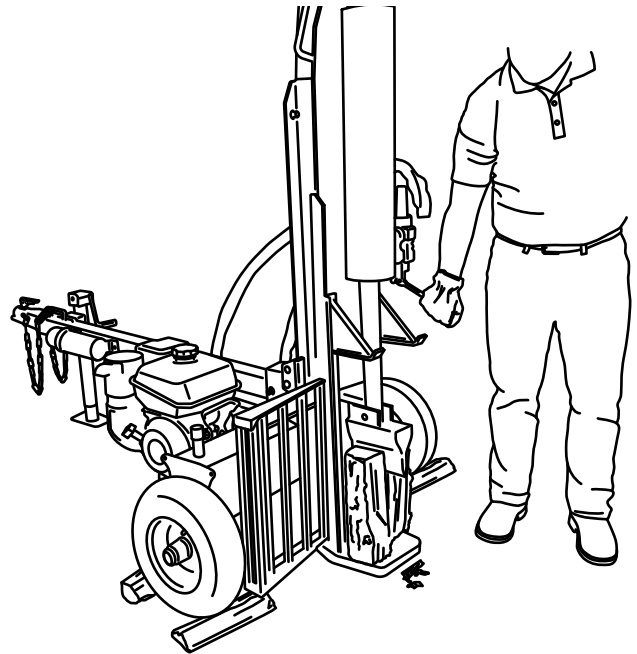
Zona del operador

Para lograrlo, tire del pasador de bloqueo de la viga y levante la viga lentamente hasta que la placa de pie se ajuste con firmeza al suelo y la cortadora de troncos se estabilice.



Cuando la viga se coloque en posición vertical, enganche el bloqueo vertical de la viga situado en el lado derecho de la lengua y el soporte de la viga.

Seleccione un tronco y ruédelo hasta la cortadora y colóquelo en la placa de pie contra la viga. Para las rondas grandes, coloque un bloque de madera o una cuña debajo del tronco para mantenerlo asegurado con firmeza contra la viga.



Una vez que el tronco esté asegurado, párese en la zona de operador que se muestra y enganche la manija de la válvula hacia la placa de pie.

AVISO: Si mantiene la válvula en la posición "hacia adelante" al final del recorrido, se puede dañar la bomba.

AVISO: Para prolongar la duración del cilindro hidráulico, evite que la placa de cuñas toque la parte inferior de la placa de pie. Para cumplir las recomendaciones de seguridad de la industria, la cuña se detiene a un mínimo de 1 in de la placa de pie.

Remolque



PRECAUCIÓN: Consulte la información de seguridad relacionada con la seguridad de remolque en la página 78 de este manual.

Esta cortadora de troncos cuenta con neumáticos, un acoplador de clase 1 (se requiere una bola de 2 in de diámetro) y cadenas de seguridad. Antes de remolcar, las cadenas de seguridad deben estar aseguradas al enganche o al parachoques del vehículo. Se deben revisar los reglamentos locales en cuanto a las licencias, las luces, el remolque, etc. Cierre la válvula de corte de combustible del motor en la posición "APAGADO" antes de remolcar. De lo contrario, el motor puede inundarse. No supere las 45 mph al remolcar la cortadora de troncos. Consulte también la sección Seguridad de remolque en la página 78 de este manual.

Mantenimiento

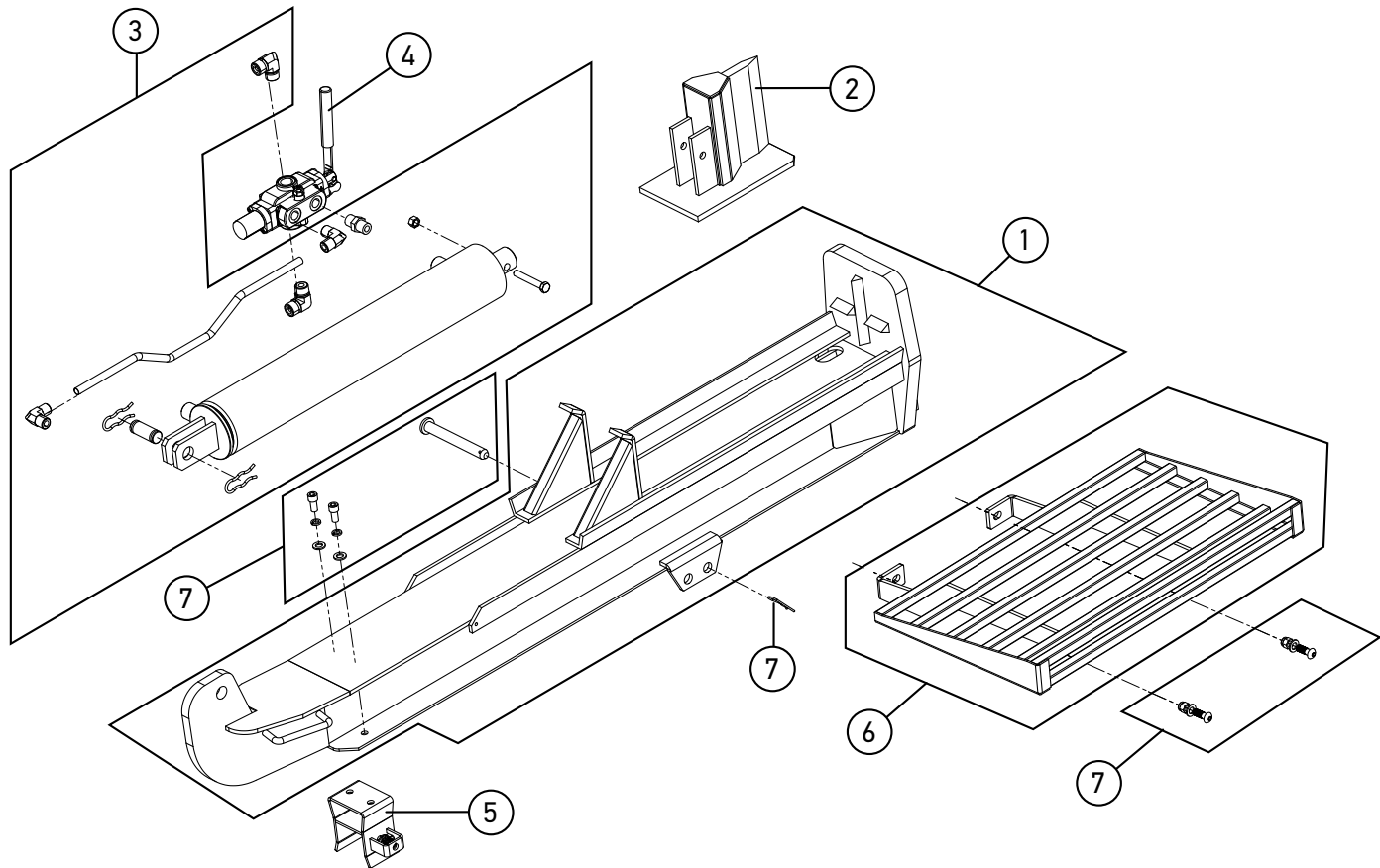


PRECAUCIÓN: Consulte la información de seguridad relacionada con la reparación general en la página 81 y la seguridad hidráulica en la página 81.

1. Consulte las instrucciones de funcionamiento y mantenimiento del fabricante del motor para cuidar y mantener el motor.
2. Compruebe siempre el nivel de aceite del depósito hidráulico antes del funcionamiento. El funcionamiento de la cortadora de troncos sin un suministro de aceite adecuado causará graves daños a la bomba.
3. Cambie el filtro de aceite hidráulico después de las primeras 25 horas de funcionamiento. A partir de entonces, cambie el filtro de aceite cada 100 horas o por temporadas, lo que ocurra primero. El número de pieza del equipo del filtro es 622528.
4. Para vaciar el aceite hidráulico, retire el tornillo de drenaje del fondo del tanque.
5. Si la cuña se opaca o se daña, puede extraerla para afilarla.
6. Limpie la tapa del respiradero después de 25 horas de funcionamiento. Límpiela más a menudo cuando se utilice en ambientes con mucho polvo.
7. Consulte también la sección Reparación general y seguridad hidráulica en la página 81 de este manual.
8. Todas las piezas de repuesto deben cumplir las especificaciones del fabricante.

Repuestos

Ensamblaje de la viga



25T

Elemento	N.º de kit	Descripción
1	622519	Viga 25T con calcomanías de Oregon
2	622524	Cuña de 8 in, 25T
3	622906	Kit de cilindro de 4 in con calcomanías
4	622608	Válvula de 4100 PSI
5	622520	Bloqueo de la viga
6	622576	Receptor de troncos
7	622492	Kit de accesorios
No se muestra	623308	Kit de sellado del cilindro de 4 in

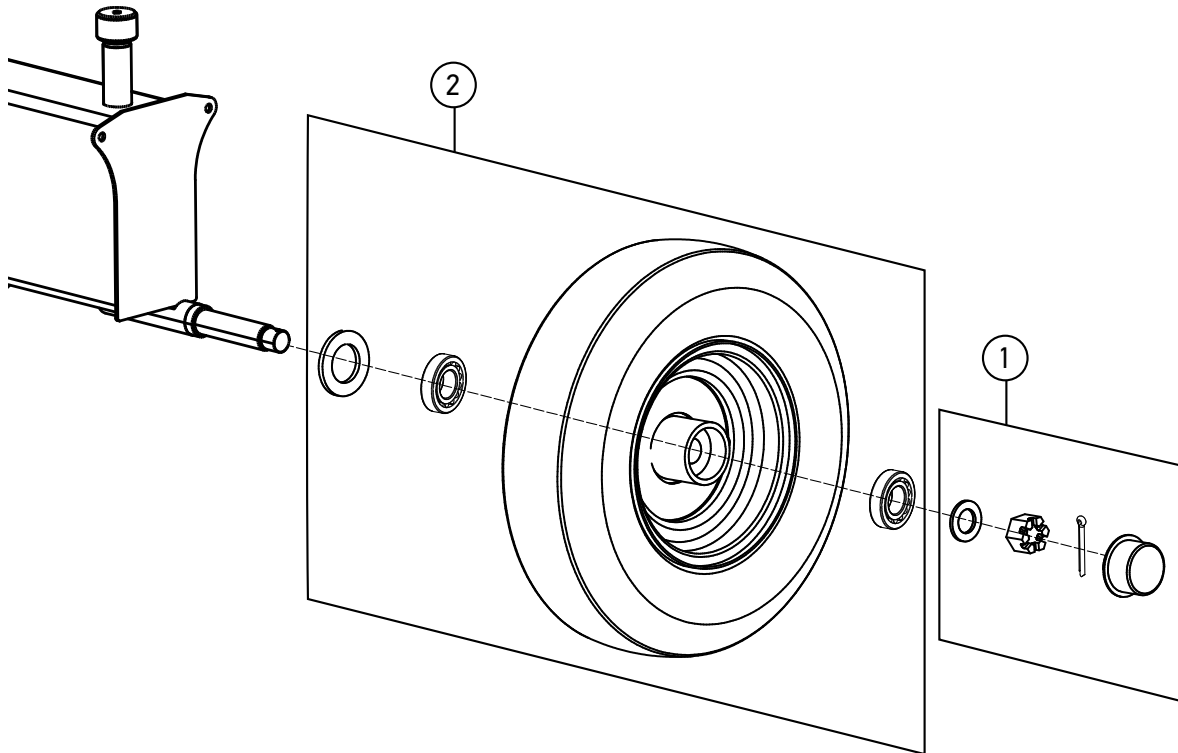
30T

Elemento	N.º de kit	Descripción
1	622543	Viga 30T con calcomanías de Oregon
2	624190	Cuña de 8 in, 30T
3	622522	Kit de cilindro de 4.5 in con calcomanías
4	622546	Válvula de 4000 PSI
5	622520	Bloqueo de la viga
6	622576	Receptor de troncos
7	622492	Kit de accesorios
No se muestra	623309	Kit de sellado del cilindro de 4.5 in

35T

Elemento	N.º de kit	Descripción
1	622554	Viga 35T con calcomanías de Oregon
2	624191	Cuña de 8 in, 35T
3	622545	Kit de cilindro de 5 in con calcomanías
4	622523	Válvula de 3668 PSI
5	622520	Bloqueo de la viga
6	622576	Receptor de troncos
7	622549	Kit de accesorios
No se muestra	623310	Kit de sellado del cilindro de 5 in

Ensamblaje de la rueda



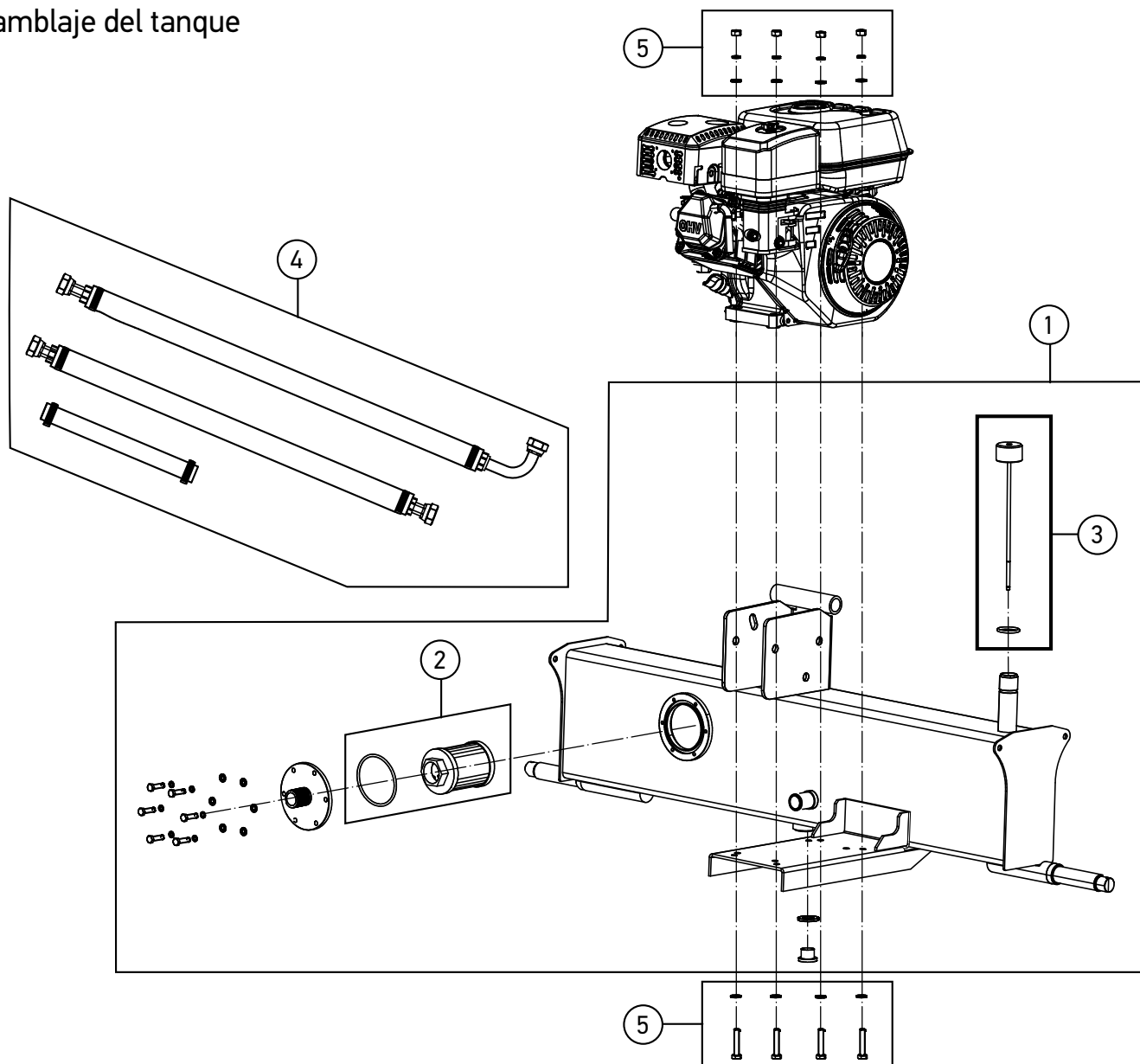
25T y 30T

Elemento	N.º de kit	Descripción
1	622492	Kit de accesorios, soporte
2	S400312B0	Ensamblaje de las ruedas de 4.8 in x 8 in

35T

Elemento	N.º de kit	Descripción
1	622549	Kit de accesorios, soporte
2	S400312B0	Ensamblaje de las ruedas de 4.8 in x 8 in

Ensamblaje del tanque



25T

Elemento	N.º de kit	Descripción
1	622526	Ensamblaje del tanque, 25T
2	622528	Kit del ensamblaje del filtro
3	622529	Ensamblaje de la tapa de ventilación
4	622497	Kit de manguera, soporte
5	622492	Kit de accesorios, 25T y 30T

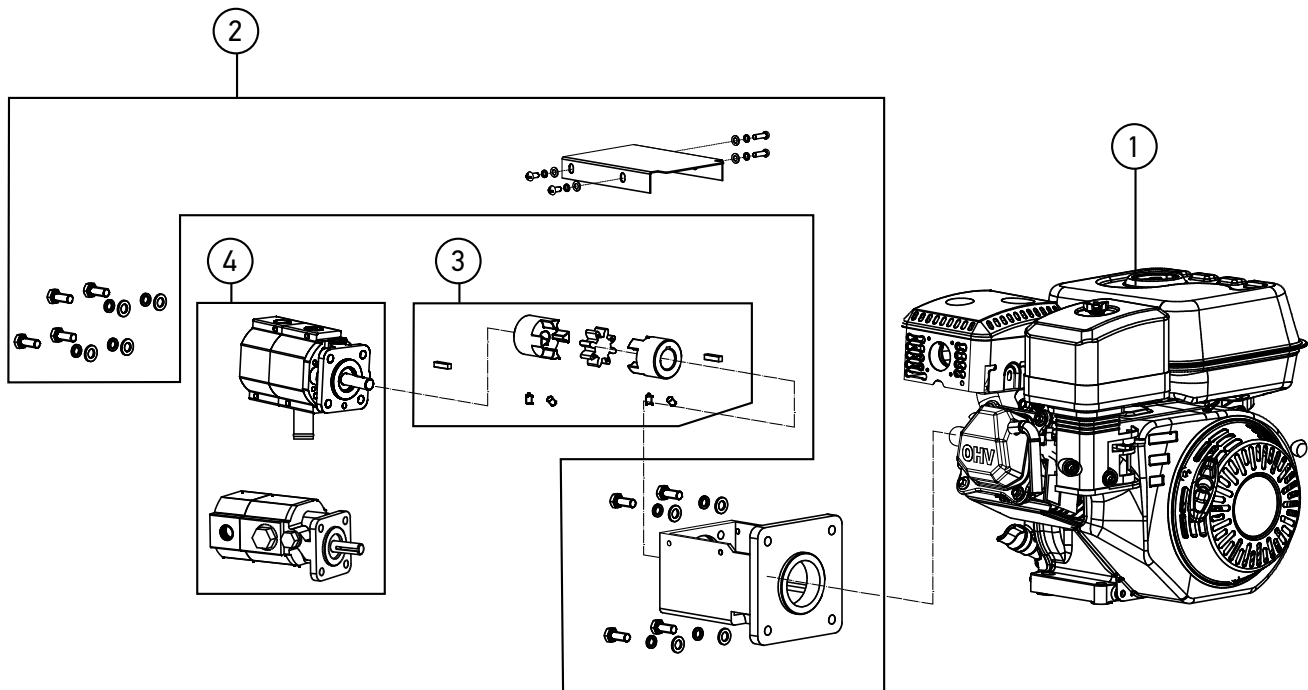
30T

Elemento	N.º de kit	Descripción
1	622622	Ensamblaje del tanque, 30T
2	622528	Kit del ensamblaje del filtro
3	622529	Ensamblaje de la tapa de ventilación
4	622497	Kit de manguera, soporte
5	622492	Kit de accesorios, 25T y 30T

35T

Elemento	N.º de kit	Descripción
1	622626	Ensamblaje del tanque, 35T
2	622528	Kit del ensamblaje del filtro
3	622529	Ensamblaje de la tapa de ventilación
4	622497	Kit de manguera, soporte
5	622549	Kit de accesorios, 35T

Ensamblaje del motor



25T

Elemento	N.º de kit	Descripción
1	623641	Motor, Briggs CR950
2	622535	Kit de montaje de la bomba SM
3	622493	Kit CPLR Briggs CR950
4	622536	Bomba de 2 etapas de 14 GPM

30T

Elemento	N.º de kit	Descripción
1	622564	Motor, BRIGGS XR1150
2	622535	Kit de montaje de la bomba SM
3	622538	Kit CPLR BRIGGS XR1150
4	622536	Bomba de 2 etapas de 14 GPM

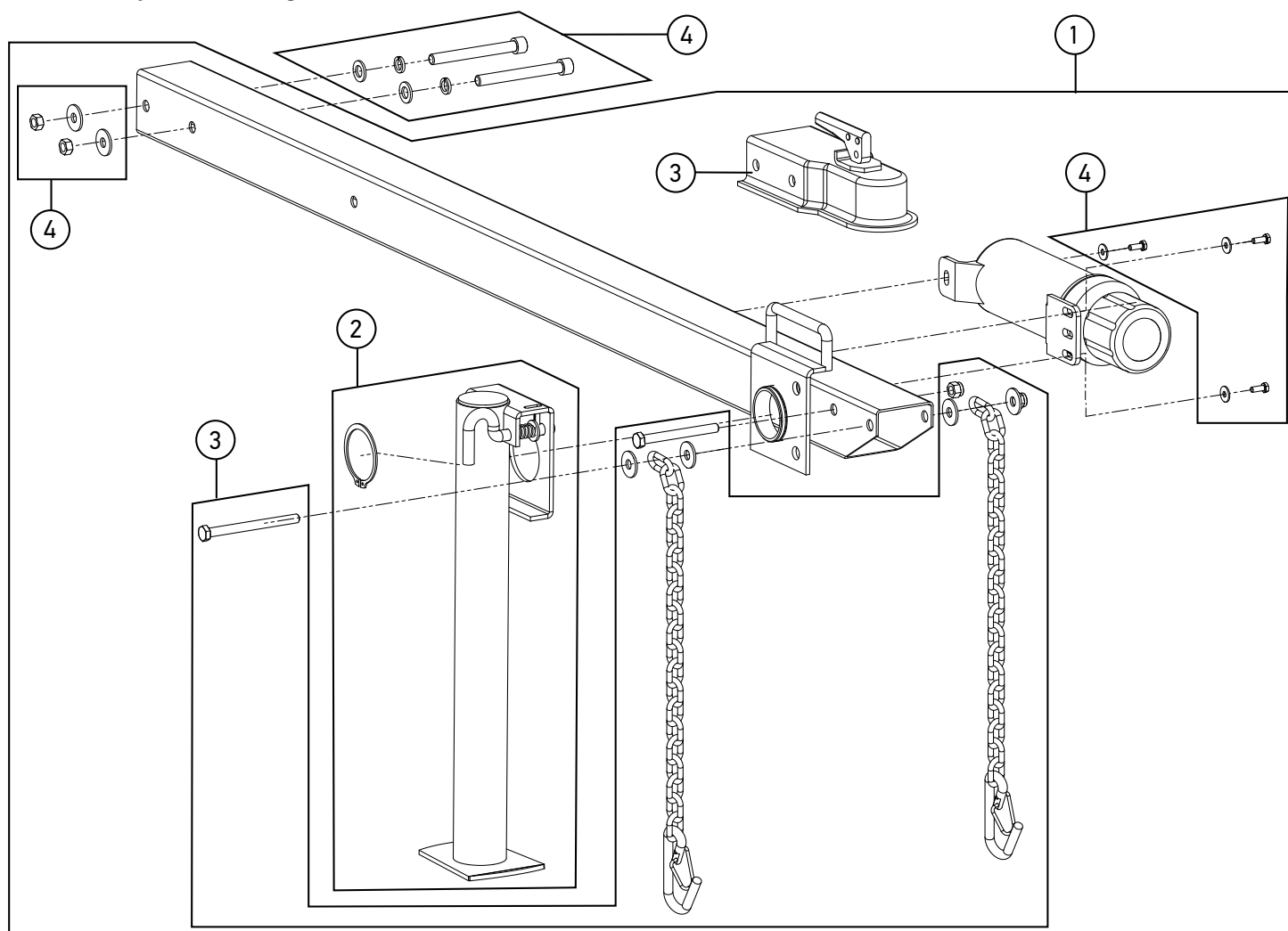
35T con Briggs XR1450

Elemento	N.º de kit	Descripción
1	S39054500	Motor, Briggs XR1450
2	625330	Kit de montaje de la bomba MD
3	622550	Kit CPLR Briggs XR1450
4	622548	Bomba de 2 etapas de 17 GPM

35T con Honda GX270

Elemento	N.º de kit	Descripción
1	S39053100	Motor, Honda GX270
2	623939	Kit de montaje de la bomba LG
3	623659	Kit de CPLR para Honda GX270
4	622548	Bomba de 2 etapas de 17 GPM

Ensamblaje de la lengua



25T y 30T

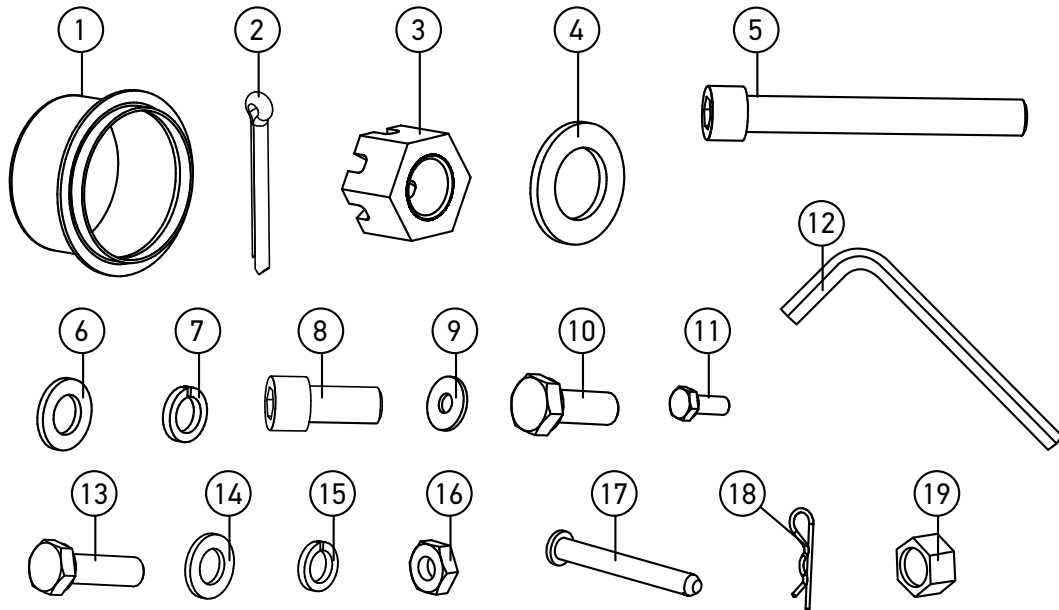
Elemento	N.º de kit	Descripción
1	622530	Kit de soporte de tierra del ensamblaje de la lengua
2	622533	Kit de soporte de tierra
3	622532	Kit del acoplador de bolas de 2 in con cadenas
4	622492	Kit de accesorios, 25T y 30T

35T

Elemento	N.º de kit	Descripción
1	622575	Kit del gato estabilizador del ensamblaje de la lengua
2	622578	Kit del gato estabilizador
3	622532	Kit del acoplador de bolas de 2 in con cadenas
4	622549	Kit de accesorios, 35T

Kit 622492 de accesorios para 25T y 30T

Kit 622549 de accesorios para 35T



Elemento	Descripción	Cantidad
1	Tapa antipolvo	2
2	Pasador de chaveta de 4 x 50	2
3	Tuerca de seguridad M22	2
4	Arandela plana M22	2
5	Tornillo de cabeza hueca de M12 x 110 mm	2
6	Arandela plana M12	8
7	Arandela de seguridad M12	6
8	Tornillo de cabeza hueca de M12 x 25 mm	2
9	Arandela plana M6	3
10	Perno M12 x 35 mm	2
11	Tornillo de cabeza hexagonal M6 x 20 mm	3
12	Llave hexagonal	1
17	Pasador	1
18	Clip R	1
19	Tuerca M12	2

25T y 30T

Elemento	Descripción	Cantidad
13	Perno M8 x 40 mm	4
14	Arandela plana M8	8
15	Arandela de seguridad M8	4
16	Tuerca M8	4

35T

Elemento	Descripción	Cantidad
13	Perno M10 x 45 mm	4
14	Arandela plana M10	8
15	Arandela de seguridad M10	4
16	Tuerca M10	4

Garantía limitada

Se garantiza que esta cortadora de troncos no sufre defectos de material ni de mano de obra durante la vida útil normal del producto, que no superará de 24 meses consecutivos a partir de la fecha de compra.

- El cilindro, la válvula, la bomba y otros componentes hidráulicos tienen dos (2) años de garantía a partir de la fecha de compra.
- Esta garantía no cubre ni se extiende al motor. El motor tiene una garantía de fabricante aparte y se adjunta al manual de instrucciones.
- Oregon reparará o sustituirá, sin cargo, las partes de la cortadora de troncos que se consideren defectuosas en material o mano de obra durante el período de garantía limitada antes mencionado.

La garantía limitada no cubre las piezas que, a juicio del fabricante, hayan sido objeto de uso negligente, mal uso, alteración y accidente, que se hayan desensamblado de alguna manera o que se hayan reparado en un centro de servicio no autorizado de Oregon. Los reclamos de garantía deben incluir el número de identificación de la cortadora de troncos y presentarse dentro de los treinta días de la fecha de la falla. Debe darle las piezas defectuosas a un distribuidor autorizado de Oregon y debe pagar los gastos de transporte por adelantado. Puede registrarse en línea en OregonProducts.com.

RENUNCIA A OTRAS GARANTÍAS: ESTA GARANTÍA LIMITADA ES LA ÚNICA GARANTÍA PARA ESTE PRODUCTO. OREGON NO OFRECE NINGUNA OTRA GARANTÍA, EXPRESA O IMPLÍCITA, INCLUIDA TODA GARANTÍA IMPLÍCITA DE COMERCIABILIDAD O IDONEIDAD PARA UN PROPÓSITO PARTICULAR, CON RESPECTO A ESTE PRODUCTO. TODAS ESAS GARANTÍAS SE NIEGAN EXPRESAMENTE.

LIMITACIONES DE LA RESPONSABILIDAD: EL FABRICANTE NO ASUME NINGUNA RESPONSABILIDAD POR DAÑOS INCIDENTALES, CONSECUENTES O PUNITIVOS EN RELACIÓN CON EL USO DE ESTE PRODUCTO, QUE INCLUYE, ENTRE OTROS, LA RESPONSABILIDAD POR LESIONES, PÉRDIDA DE VIDA, DAÑOS A LA PROPIEDAD, PÉRDIDA DE USO, PÉRDIDA DE TIEMPO, INCONVENIENTES O PÉRDIDAS COMERCIALES. SE EXCLUYE EXPRESAMENTE TODA RESPONSABILIDAD DE ESTE TIPO. ESTAS LIMITACIONES DE RESPONSABILIDAD SE APLICAN A TODAS ESOS RECLAMOS. EN NINGÚN CASO, OREGON SERÁ RESPONSABLE DE TODA CANTIDAD QUE SUPERE EL PRECIO DE COMPRA DE ESTE PRODUCTO.



Blount, Inc.
4909 SE International Way
Portland, Oregon 97222 USA

OregonProducts.com